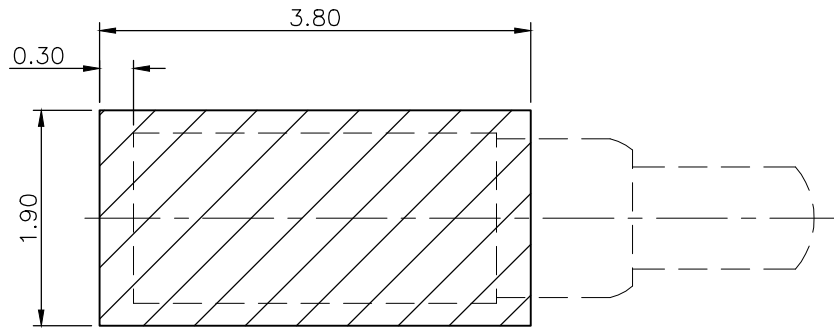
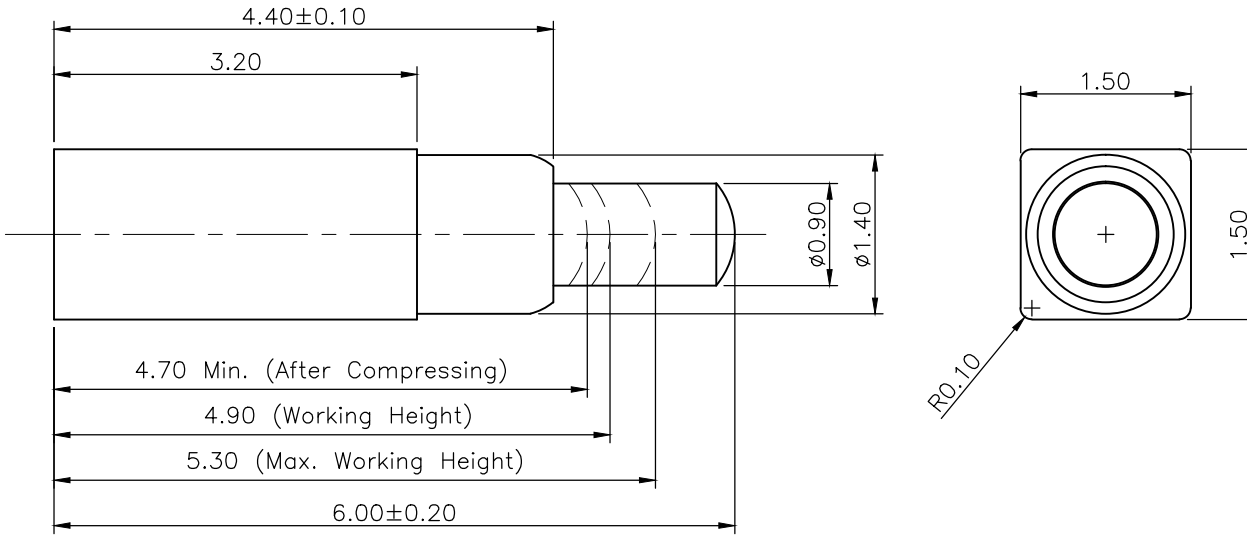



REV.	DESCRIPTION	DRAWN	DATE
1	INITIAL RELEASE	FROS	2020/05/18

SPECIFICATION:

1. ELECTRICAL
 - 1.1 Current Rating: 2A
 - 1.2 Voltage Rating: 30V
 - 1.3 Contact Resistance: 20mΩ
2. MECHANICAL
 - 2.1 Durability: 10,000 Cycle
 - 2.2 Spring Force: 90g±20g at working height
3. ENVIRONMENTAL
 - 3.1 Operating temperature range: -40°C~+85°C
 - 3.2 Storage temperature range: -40°C~+85°C
4. SOLDER ABILITY
 - 4.1 Recommended IR-Reflow Temperature: 260°C



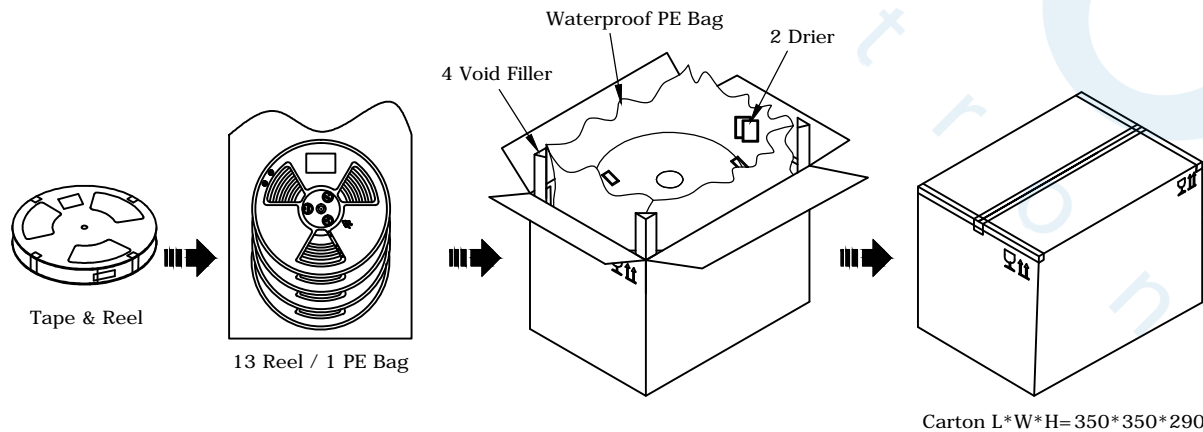
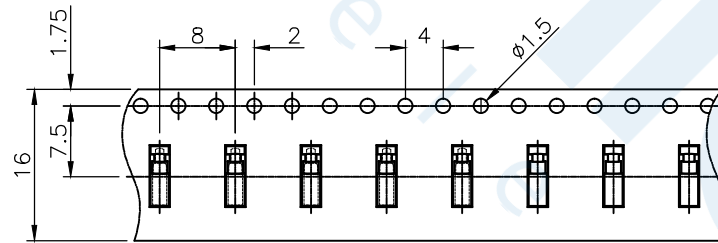
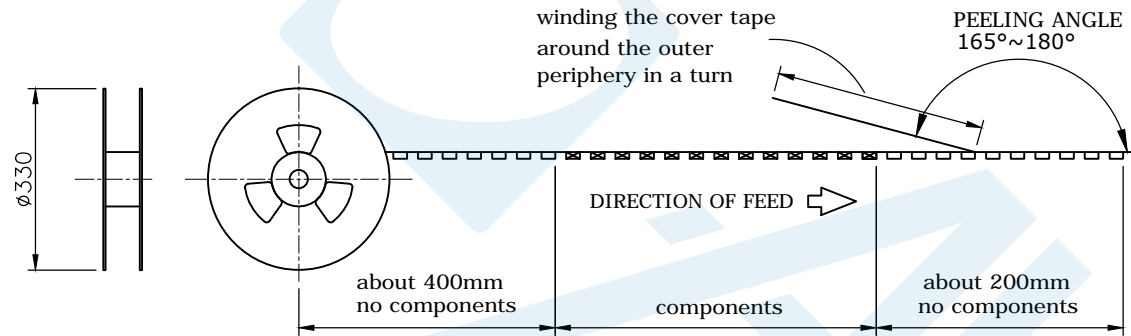
Recommended Layout
General tolerance: ±0.05mm

3	SPRING	Stainless steel		
2	BARREL	Brass, gold plating over nickel		
1	PISTON	Brass, gold plating over nickel		
NO.	PART NAME	DESCRIPTION		
UNLESS OTHERWISE SPECIFIED TOLERANCE				
UNIT:	DECIMAL	LINEAR	ANGLES	
	mm	X. ±0.50	±5°	
		X.X ±0.25	±3°	
		X.XX ±0.12	±1°	
DRAWN		Fros	2020/05/18	 www.attend.com.tw
CHECKED		Tim	2020/05/18	
APPROVED		Ken	2020/05/18	
SCALE		1/1	SHEET 1/1	
DRAWN NAME:		Pogo Pin, H6.0 Rectangle Body R/A SMT 5u", Reel		
PRODUCT NO.		303A-441615-000		
FILE NAME		303A-441615-000_B_1		

REV.	DESCRIPTION	DRAWN	DATE
1	INITIAL RELEASE	FROS	2020/05/18

PACKAGING SPECIFICATION:

1. MATERIAL
 - 1.1 Embossed Carrier Tape: PS Black
 - 1.2 Top Cover Tape: PET
20-80g (Peel Speed 300mm/Minute)
 - 1.3 Taping Reel: Plastic
2. PACKING
 - 2.1 Quantity:
4,500 Piece/Reel
13 Reel/Carton
58,500 Piece/Outer Carton



UNLESS OTHERWISE SPECIFIED TOLERANCE			
UNIT:	DECIMAL	LINEAR	ANGLES
mm	X.	±0.50	±5°
	X.X	±0.25	±3°
	X.XX	±0.12	±1°



www.attend.com.tw

DRAWN	Fros	2020/05/18	DRAWN NAME:		
CHECKED	Tim	2020/05/18	Pogo Pin, H6.0 Rectangle Body R/A SMT 5u", Reel		
APPROVED	Ken	2020/05/18	PRODUCT NO.	303A-441615-000	
SCALE	N/A	SHEET	1/1	SIZE	A4
			FILE NAME	303A-441615-000_D_1	