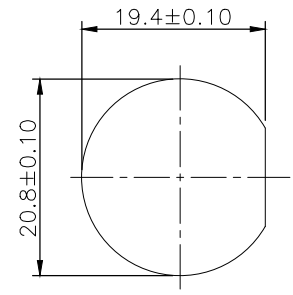
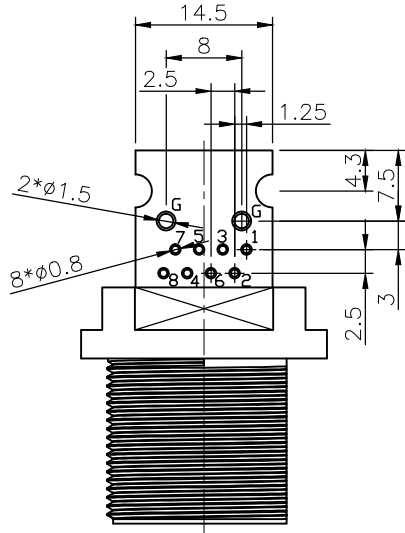


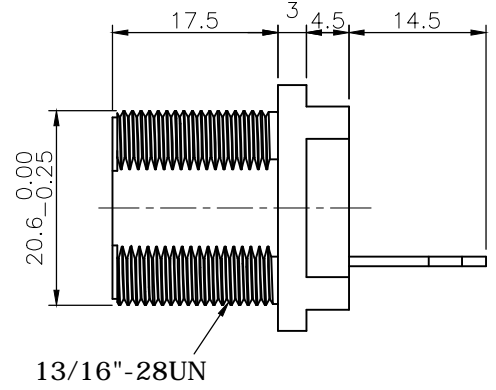
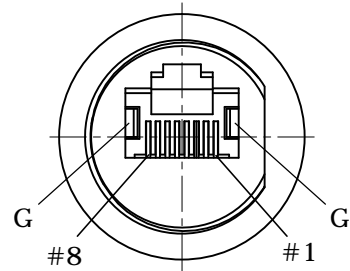
REV.	DESCRIPTION	DRAWN	DATE
1	INITIAL RELEASE	TIM	2019/01/21
1.1	ECR221012001	TIM	2022/10/14



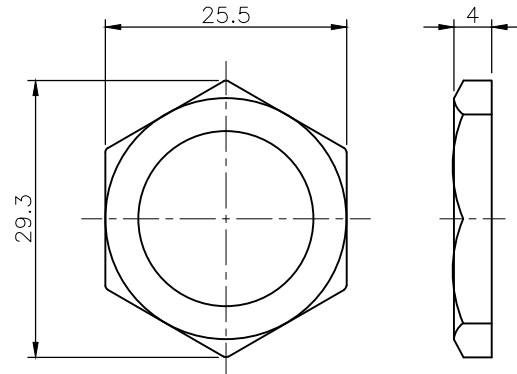
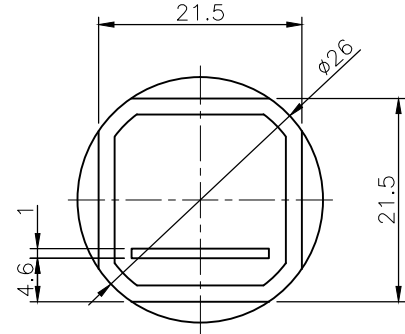
Recommended Panel Cut Out

SPECIFICATION:

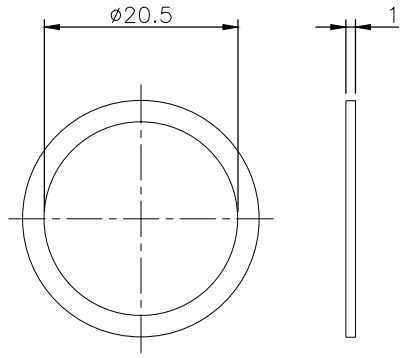
- 1.1 Current Rating: 1.5A
- 1.2 Voltage Rating: 125V AC/DC
- 1.3 Water Proof: IPX7
- 1.4 Operation Temperature: -40°C to +85°C



13/16"-28UN


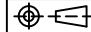


Nut



Gasket

6	NUT	PA66
5	GASKET	Silicone, Gray Black
4	GROUND	Stainless Steel, Nickel plating
3	SHELL	PA66, UL94V-0, Black
2	CONTACT	Phosphor Bronze, Gold plating over Nickel
1	HOUSING	PBT, UL94V-0, Black

NO.		PART NAME		DESCRIPTION	
UNLESS OTHERWISE SPECIFIED TOLERANCE					
UNIT:	DECIMAL	LINEAR	ANGLES	 WWW.ATTEND.COM.TW	
	X.	±0.50	±5°		
	X.X	±0.25	±3°		
	X.XX	±0.12	±1°		
DRAWN	Tim	2019/01/21	DRAWN NAME:		
CHECKED	Fros	2019/01/21	RJ45 8P8C Waterproof Socket With PCB		
APPROVED	Ken	2019/01/21	PRODUCT NO.	222A-03002	
	SCALE	SHEET	SIZE	FILE NAME	222A-03002_B_1.1
	1:25	1/1	A4		