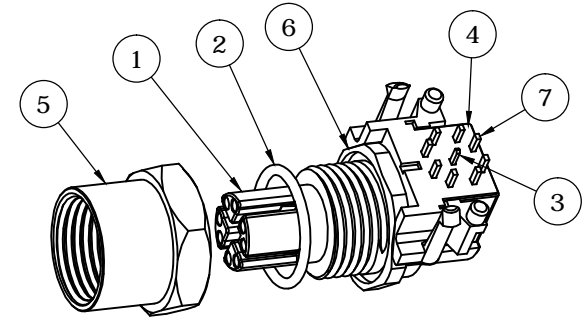


REV.	DESCRIPTION	DRAWN	DATE
A	PRELIMINARY	FROS	2019/12/06
1	Initial release	FROS	2020/02/05
2	27.2->27.5	FROS	2021/05/25

SPECIFICATION:

1. Current Rating: 0.5A
2. Voltage Rating: 50VAC/ 60VDC
3. Water proof: IPX7
4. Operation Temperature: -40°C TO 85°C



8	Glue	Epoxy
7	CONTACT	Phosphor Bronze, gold plating over nickel
6	NUT	Brass, Nickel plating
5	SCREW	Brass, Nickel plating
4	PIN HOLDER	PBT, UL94V-0, Black
3	SHIELD	Brass, Nickel plating
2	ORING	EPDM/NBR, Black
1	HOUSING	PBT, UL94V-0, Black

NO.		PART NAME	DESCRIPTION
UNLESS OTHERWISE SPECIFIED TOLERANCE			
UNIT:	DECIMAL	LINEAR	ANGLES
	mm	X. ±0.50	X° ±5°
		X.X ±0.25	X° ±3°
		X.XX ±0.12	X° ±1°
DRAWN			Fros 2019/12/06
CHECKED			Tim 2019/12/06
APPROVED			Ken 2019/12/06
SCALE		SHEET	SIZE
1:25		1/1	A4
DRAWN NAME:			M12 X- Code Receptacle, 8Pin Female R/A DIP Type Front Fastened
PRODUCT NO.			216X-08FRF
FILE NAME			216X-08FRF_B_2

