

DLAP-211-JNX/DLAP-211-JT2/ DLAP-211-Nano

Edge AI Platform Powered by NVIDIA®
 Jetson Xavier™ NX/ Jetson™ TX2 NX/
 Jetson Nano™



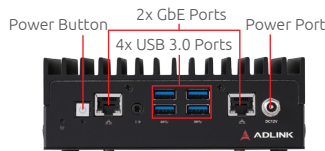
Features

- Deep learning acceleration with NVIDIA® Jetson Xavier™ NX / Jetson™ TX2 NX/ Jetson Nano™ SOM
- Linux® Ubuntu operating system
- High performance yet energy efficient
- Wide operating temperature range
- Compact, durable and fanless design for 24/7 operation
- Wide variety of industrial I/O ports and visual inferencing capabilities
- Available with AWS IoT Greengrass service and Allxon remote device management

Software Support

Linux Ubuntu 18.04 LTS

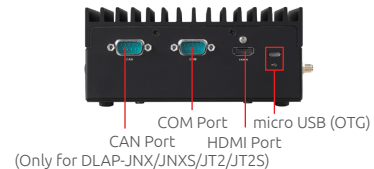
DLAP-211-JNX/JT2/Nano



DLAP-211-JNXS/JT2S/NanoS



DLAP-211 Series (backside)



Ordering Information

DLAP-211-JNX	Powered by NVIDIA® Jetson Xavier™ NX
DLAP-211-JNX 16GB	Powered by NVIDIA® Jetson Xavier™ NX 16GB
DLAP-211-JNXS	Powered by NVIDIA® Jetson Xavier™ NX, 2x I²C, 2x SPI, 1x UART, 8x GPIO
DLAP-211-JT2	Powered by NVIDIA® Jetson™ TX2 NX
DLAP-211-JT2S	Powered by NVIDIA® Jetson™ TX2 NX, 2x I²C, 2x SPI, 1x UART, 8x GPIO
DLAP-211-Nano	Powered by NVIDIA® Jetson Nano™
DLAP-211-NanoS	Powered by NVIDIA® Jetson Nano™, 2x I²C, 2x SPI, 1x UART, 8x GPIO
DLAP-211-JNX-CB	DLAP-211 carrier board with Jetson Xavier™ NX

Optional Accessories

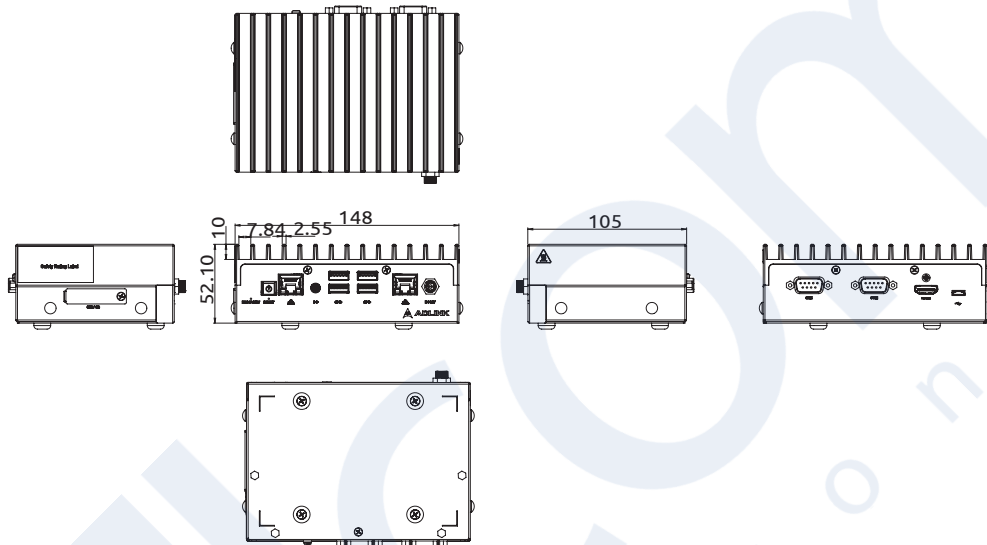
EWK-M2-AC9260-ET	INTEL AC9260 IND. WIFI w/ mPCIe converter
AMPAK AP12356 WIFI/BT KIT	AMPAK AP12356 WIFI/BT KIT 2x2 Wi-Fi + Bluetooth4.1 Module with PCI-e Half-Mini Card
EG25-G 4G/LTE Kit	2pcs x IPEX to SMA Cable, 2pcs x 4G LTE Antenna, .
TS256GMTE452T	M.2 2242, NVMe PCIe Gen 3x2 B+M Key 256GB

Specifications

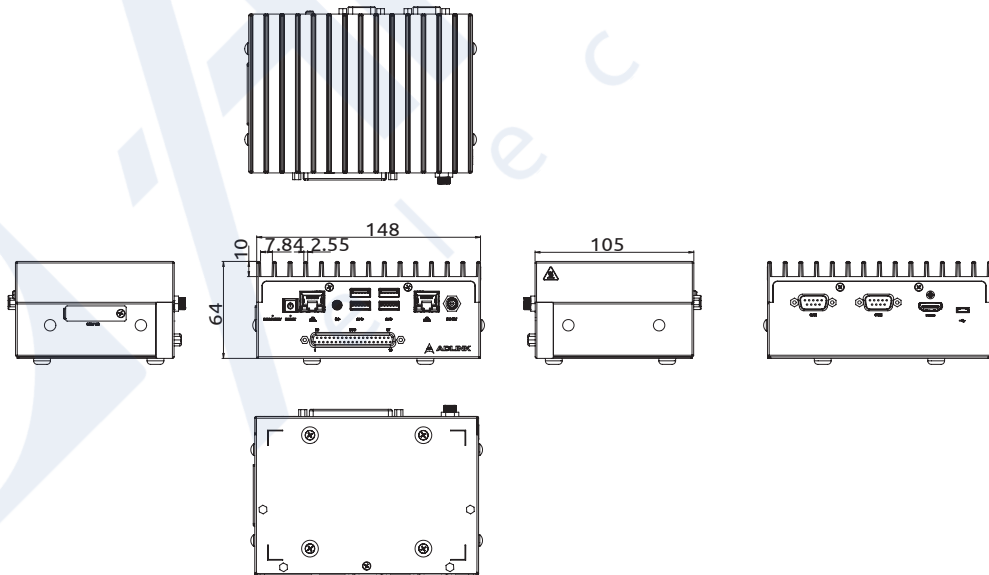
Model	DLAP-211-JNX	DLAP-211-JNXS	DLAP-211-JT2	DLAP-211-JT2S	DLAP-211-Nano	DLAP-211-NanoS
System						
GPU	384-core NVIDIA Volta™ GPU with 48 Tensor Cores		NVIDIA Pascal™ Architecture GPU with 256 CUDA® cores		NVIDIA Maxwell architecture with 128 NVIDIA CUDA® cores	
CPU	6-core ARM® v8.2 64-bit		2-core Denver 2 64-bit and 4-core ARM A57 Complex		4-core ARM® Cortex-A57	
RAM	8GB/16GB	8GB	4GB			
Storage	16 GB eMMC 5.1					
OS	Linux® Ubuntu					
Front Panel I/O Ports						
Button	1x power, 1x reset, 1x recovery					
HDMI	1x lockable					
USB	4x USB 3.0 Type-A					
Ethernet	2x 10/100/1000Mbps Ethernet					
Audio	Mic-in, line-out					
Expansion I/O	N/A	2x I2-C, 2x SPI, 1x UART, 8x GPIO, Relay through 1x 37pin D sub connector	N/A	2x I2-C, 2x SPI, 1x UART, 8x GPIO, Relay through 1x 37pin D sub connector	N/A	2x I2-C, 2x SPI, 1x UART, 8x GPIO, Relay through 1x 37pin D sub connector
Back Panel I/O Ports						
USB	1x USB 2.0 OTG					
Serial Port	1x COM RS-232/RS-422/RS-485					
CAN Bus	1x 2.0b				N/A	
Extension Slots						
Mini PCIe	1x PCIe mini card slot					
M.2	1x M.2 B key 2242 socket					
SD Card Slot	1x SD card slot					
Power Supply						
DC Input	12V					
AC Input	60W power adapter					
Mechanical						
Dimensions (W x D x H)	148mm x 120mm x 52mm (LAP-211-JNX/DLAP-211-JT2/DLAP-211-Nano) 148mm x 120mm x 64mm (DLAP-211-JNXS/DLAP-211-JT2S/DLAP-211-NanoS)					
Weight	Gross 1.725 KG / Net 1.5 KG					
Mounting	Wall mount, VESA DIN rail (optional)					
SMA Antenna Connector	4					
Environmental						
Operating Temperature	Standard -20°C to 70°C (system level), -20°C to 85°C (board level)					
Operating Humidity	~95% @40°C (non-condensing, optional with fanless solution)					
Storage Temperature	-40°C to +85°C					
Vibration	Operating 5Grms, 5-500Hz, 3 axes w/M.2 SSD					
Shock	Operating 100G, half sine 11ms duration w/ SD, M.2 SSD					
ESD	Contact ± 4kV, Air ± 8kV					
Regularity	CE & FCC class B, (EN61000-6-4/-6-2), CE-LVD & UL by CB, FCCID					
F/W Support						
WDT	WDT supported					

Mechanical Overview

DLAP-211-JNX/JT2/Nano



DLAP-211-JNXS/JT2S/NanoS



All products and company names listed are trademarks or trade names of their respective companies. Updated Nov. 02, 2022. ©2022 ADLINK Technology, Inc. All Rights Reserved. All pricing and specifications are subject to change without further notice.