



ISOLATOR SELECTION GUIDE

隔离产品选型



邮箱: business@3peakic.com.cn

网址: www.3peakic.com.cn

思瑞浦微电子科技(苏州)股份有限公司
3PEAK INCORPORATED



Singel 3 | B-2550 Kontich | Belgium | Tel. +32 (0)3 458 30 33 | info@alcom.be | www.alcom.be
Rivium 1e straat 52 | 2909 LE Capelle aan den IJssel | The Netherlands | Tel. +31 (0)10 288 25 00 | info@alcom.nl | www.alcom.nl



ABOUT 3PEAK

关于思瑞浦

思瑞浦微电子科技(苏州)股份有限公司(英文:3PEAKINCORPORATED, 股票代码:688536),成立于2012年,2020年9月21日在上海证券交易所科创板上市。

公司始终坚持研发高性能、高质量和高可靠性的集成电路产品,包括信号链模拟芯片、电源管理模拟芯片和数模混合模拟前端,并逐渐融合嵌入式处理器,为客户提供全方面的解决方案。

其应用范围涵盖信息通讯、工业控制、监控安全、医疗健康、仪器仪表、新能源和汽车等众多领域。

Established in 2012, 3PEAK was listed on the Shanghai Science and Technology Innovation Board on September 21, 2020. The company is committed to the research and development of high-performance, high-quality, and highly reliable integrated circuit products, including signal chains, power analog chips, mixed-signal front-ends, and embedded processors to provide customers with all-around solutions. The applications of the products cover many fields such as communication, industrial, security monitoring, medical and health, instrumentation, new energy, and automotive industry.

DIGITAL ISOLATOR NAMING RULE

TPT 7XYZFQ—ABCR

X SERIES
7: Basic
8: Reinforced

Y NUMBER OF CHANNEL
1: 1 channel
2: 2 channel
3: 3 channel
4: 4 channel
6: 6 channel

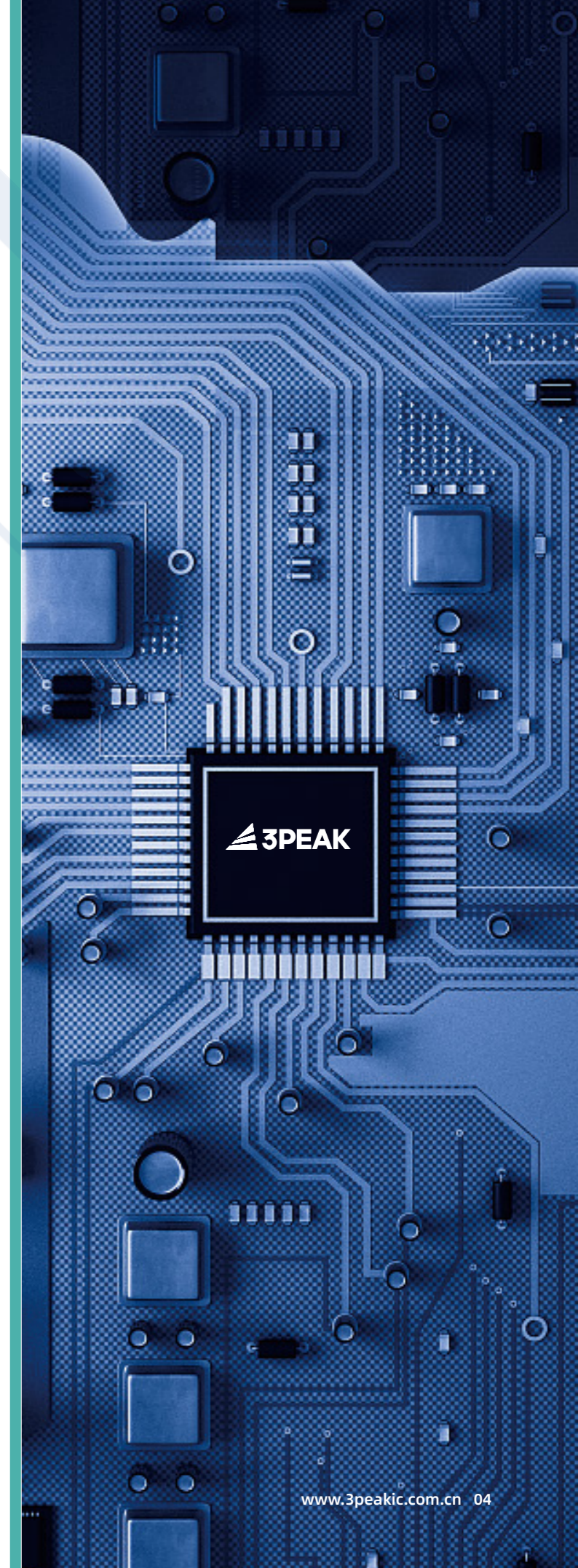
Z NUMBER OF REVERSE CHANNEL
0: 0 reverse channel
1: 1 reverse channel
2: 2 reverse channel
3: 3 reverse channel

Q PRODUCT RATING
Without Q suffix: Industrial
With Q suffix: Automotive

F DEFAULT OUTPUT
Without F suffix: Default output high
With F suffix: Default output low

ABC PACKAGE

S01: SOP-8 **S03:** SOP-16
SOA: WSOP-8 **SOB:** WSOP-16
SSA: QSOP-16 **SOF:** WWSOP-16



ISOLATED SYSTEM SOLUTION

DIGITAL ISOLATOR

- Basic
- Reinforced

ISOLATED INTERFACE

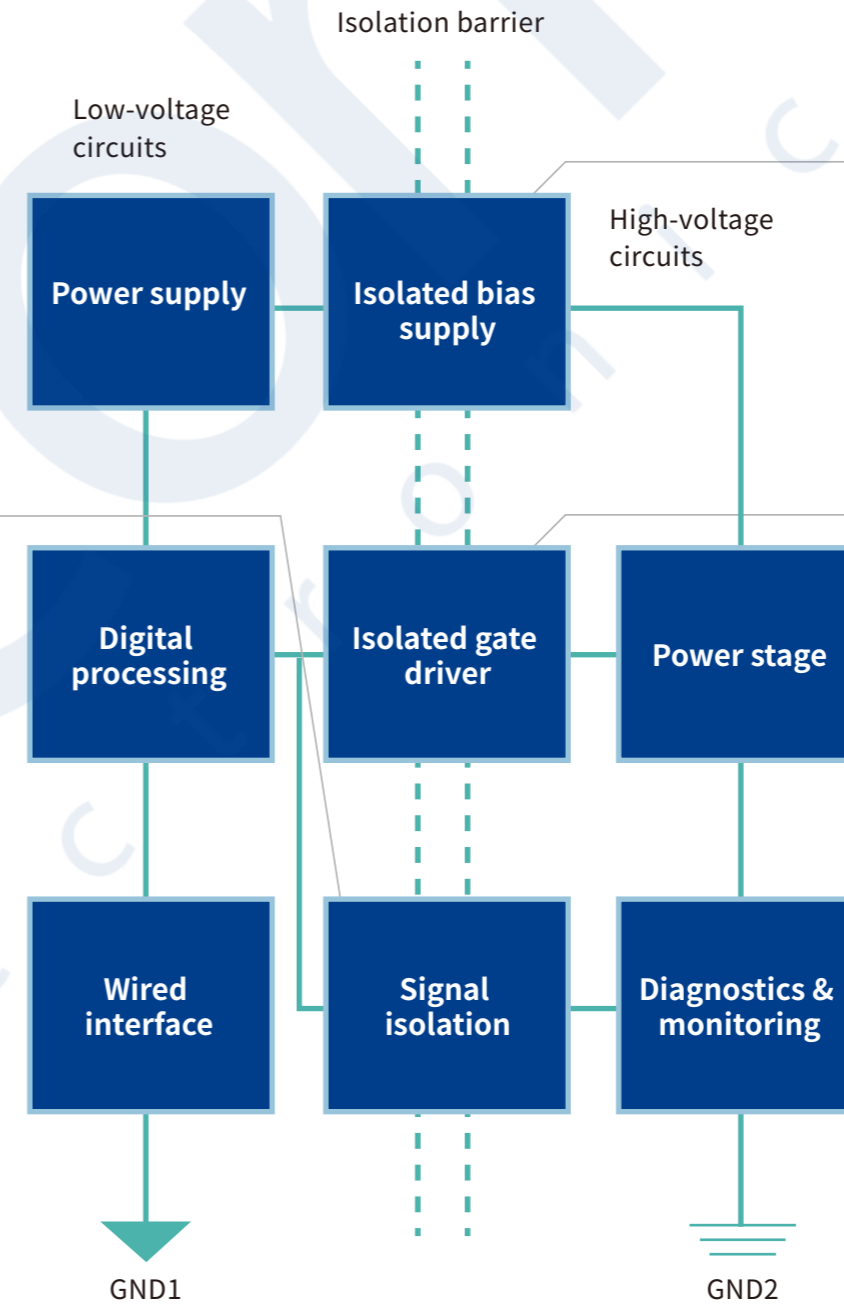
- ISO-CAN
- ISO-485
- ISO-I2C

ISOLATED AMPLIFIER

- Differential-ended output
- Single-ended output

ISOLATED ADC

- Clock in
- Clock out



ISOLATED BIAS SUPPLY

- Transformer driver
- Isolated power

ISOLATED GATE DRIVER

- Single-channel
- Dual-channel / half-bridge

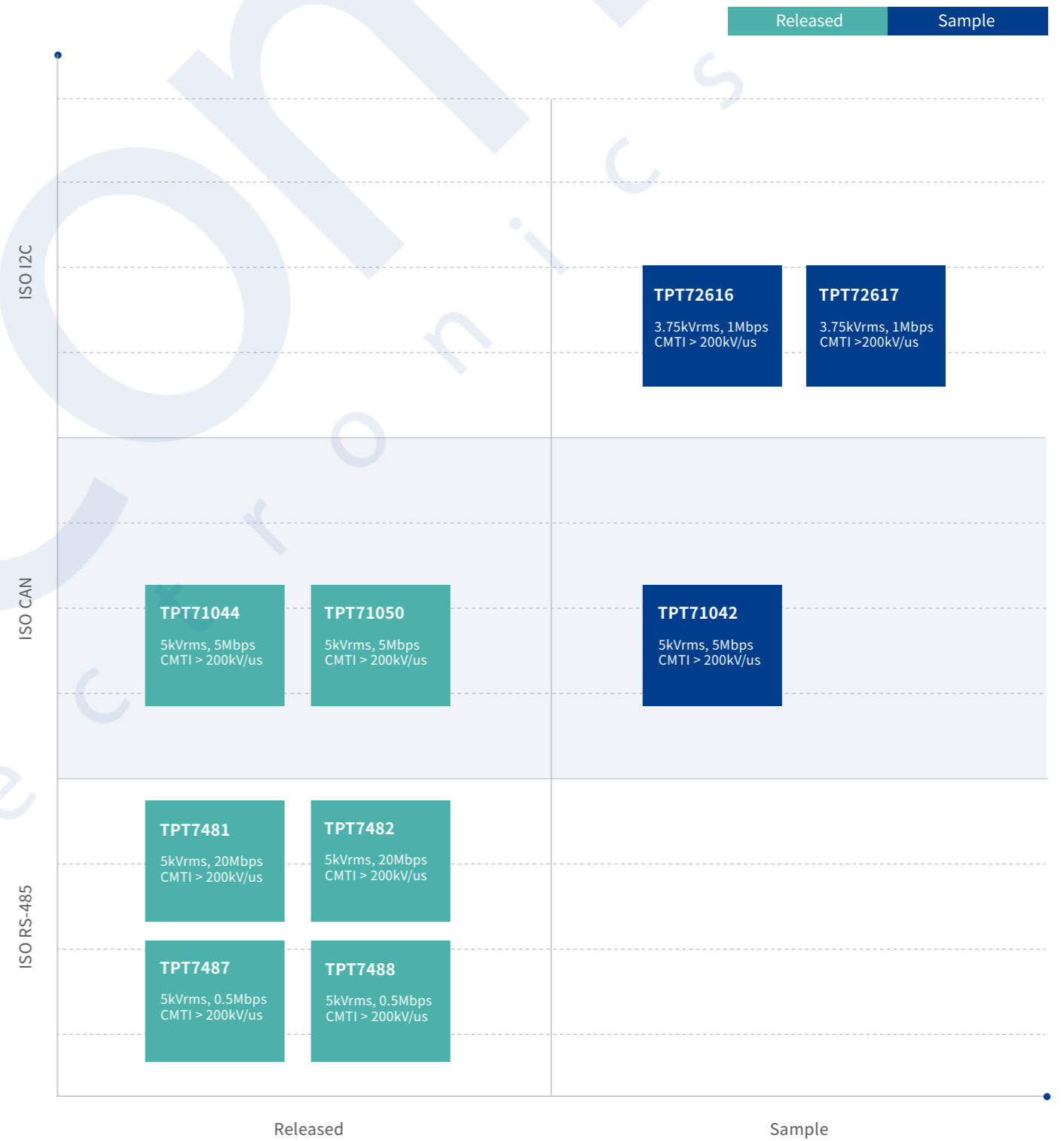
DIGITAL ISOLATOR + GATE DRIVER

- Single-channel
- Dual-channel / half-bridge

DIGITAL ISOLATOR



ISOLATED INTERFACE



DIGITAL ISOLATOR

高可靠性, 高性能数字隔离器

Part Number	Number of Channels	Forward/Reverse Channels	Isolation Rating(V rms)	Surge Voltage Capability(Vpk)	CMTI(kV/us)		Max Data Rate(Mbps)	Default Output	Package
					Static	Dynamic			
TPT7710	1	1/0	5000	10000	200	150	150	High/Low	SOP8, WSOP8, WSOP16
TPT7720	2	2/0	5000	10000	200	150	150	High/Low	SOP8, WSOP8, WSOP16
TPT7721	2	2/1	5000	10000	200	150	150	High/Low	SOP8, WSOP8, WSOP16
TPT7722*	2	2/0	5000	10000	200	150	150	High/Low	SOP16, QSOP16, WSOP16
TPT7730	3	3/0	5000	10000	200	150	150	High/Low	SOP16, QSOP16, WSOP16
TPT7731	3	3/1	5000	10000	200	150	150	High/Low	SOP16, QSOP16, WSOP16
TPT7740	4	4/0	5000	10000	200	150	150	High/Low	SOP16, QSOP16, WSOP16
TPT7741	4	4/1	5000	10000	200	150	150	High/Low	SOP16, QSOP16, WSOP16
TPT7742	4	4/2	5000	10000	200	150	150	High/Low	SOP16, QSOP16, WSOP16
TPT7760	6	6/0	5000	10000	200	150	150	High/Low	SOP16, QSOP16, WSOP16
TPT7761	6	6/1	5000	10000	200	150	150	High/Low	SOP16, QSOP16, WSOP16
TPT7762	6	6/2	5000	10000	200	150	150	High/Low	SOP16, QSOP16, WSOP16
TPT7763	6	6/3	5000	10000	200	150	150	High/Low	SOP16, QSOP16, WSOP16
TPT7820*	2	2/0	5700	12800	200	150	150	High/Low	WSOP8, WSOP16, WWSOP16
TPT7821*	2	2/1	5700	12800	200	150	150	High/Low	WSOP8, WSOP16, WWSOP16
TPT7822*	2	2/0	5700	12800	200	150	150	High/Low	WSOP8, WSOP16, WWSOP16
TPT7840	4	4/0	5700	12800	200	150	150	High/Low	WSOP16, WWSOP16
TPT7841	4	4/1	5700	12800	200	150	150	High/Low	WSOP16, WWSOP16
TPT7842	4	4/2	5700	12800	200	150	150	High/Low	WSOP16, WWSOP16

*样品请联系销售

ISOLATED CAN

高ESD性能, 高共模耐压, 支持CAN FD高速率隔离CAN

Part Number	Isolation Rating(V rms)	Surge Voltage Capability(Vpk)	CMTI(kV/us)		Max Data Rate(Mbps)	Bus Fault Protection Voltage	Package
			Static	Dynamic			
TPT71050	5000	10000	200	150	5	42V	WSOP8, WSOP16
TPT71044	5000	10000	200	150	5	42V	WSOP8, WSOP16
TPT71042*	5000	10000	200	150	5	70V	WSOP8, WSOP16

*样品请联系销售

ISOLATED 485

高ESD性能全双工/半双工隔离485

Part Number	Isolation Rating(V rms)	Surge Voltage Capability(Vpk)	CMTI(kV/us)		Max Data Rate(Mbps)	Mode	Package
			Static	Dynamic			
TPT7487	5000	10000	200	150	0.5	Half/Full Duplex	WSOP8, WSOP16
TPT7488	5000	10000	200	150	0.5	Half/Full Duplex	WSOP8, WSOP16
TPT7481	5000	10000	200	150	20	Half/Full Duplex	WSOP8, WSOP16
TPT7482	5000	10000	200	150	20	Half/Full Duplex	WSOP8, WSOP16

ISOLATED I2C

高ESD性能隔离I2C

Part Number	Isolation Rating(V rms)	Surge Voltage Capability(Vpk)	CMTI(kV/us)		Max Data Rate(Mbps)	Clock Direction	Package
			Static	Dynamic			
TPT72616*	3750	10000	200	150	1	Bidirection	SOP8
TPT72617*	3750	10000	200	150	1	Single Direction	SOP8

*样品请联系销售

ADVANTAGES

- 01 全自主研发
Fully Independent Research and Development
- 02 高隔离耐压,抗浪涌电压能力>10kV
High Isolation Voltage and Surge Voltage > 10kV
- 03 完整TDDDB实验,超长隔离使用寿命>60years
Isolation Lifetime Proved by TDDDB Results > 60years
- 04 VDE, TUV, UL, CSA, CQC, CB 全系列安规认证证书
All Series of VDE, TUV, UL, CSA, CQC, and CB Safety Certification
- 05 高抗共模干扰能力CMTI达到200kV/us,适用于SiC/GaN应用
200kV/us High CMTI Suitable for SiC/GaN Application
- 06 高ESD能力,IEC61000-4-2 ESD 8kV
IEC61000-4-2 ESD >8kV



VDE	TUV	UL	CSA	CQC	CB
Verband Deutscher Elektrotechniker VDE 0884-17 / IEC60747-17	Technischer Überwachungsverein EN IEC62368-1	Underwriters Laboratories UL1577	Canadian Standards Association IEC 60601:2005	China Quality Certification GB 4943.1-2011	Certification Bodies' Scheme IEC62368-1

APPLICATIONS



变频器



通信



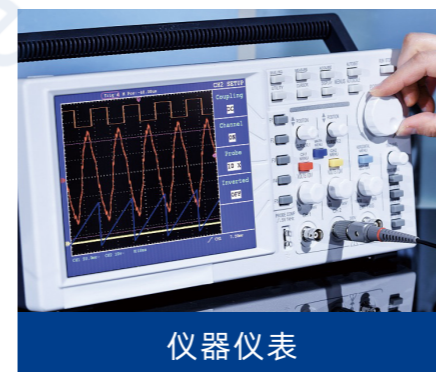
工业自动化



光伏逆变器



医疗设备



仪器仪表



风电



新能源汽车

FEATURES

- 150 Mbps data rate supported
- Typical propagation delay: 12 ns
- Max Ch-Ch Skew: 2.5ns, MAX Part-Part Skew: <5ns
- Power: 3mA @1Mbps/ channel typical (3.3V)
- Static CMTI: 200kV/μs, Dynamic CMTI: 150kV/μs
- UL 1577: 5000 VRMS Isolation Rating
- Surge: 10 kVPEAK (WSOP), 6kVPEAK(SOP)
- 1000VRMS Working Voltage (DIN V VDE V 0884-11)
- 2.5V to 5.5V Wide Supply Range
- SOP8, WSOP8, WSOP16 with 8 mm creepage

BENEFITS

- Enhanced Isolation Rating
 - Robust reliability with 50% higher working voltage for 20 years barrier lifetime
- Industry Leading Immunity
 - Higher immunity to disruptive CMTI events
 - Robust EMI for IEC61000-4-x ESD, EFT events
 - Class A; High Conducted & Radiated RF immunity
 - Glitch filters are not required
- Precise timing characteristics for low latency and high speeds

APPLICATIONS

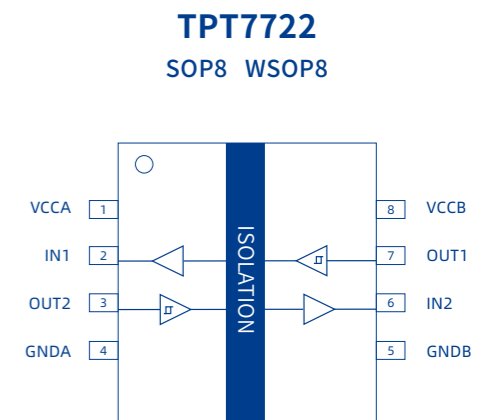
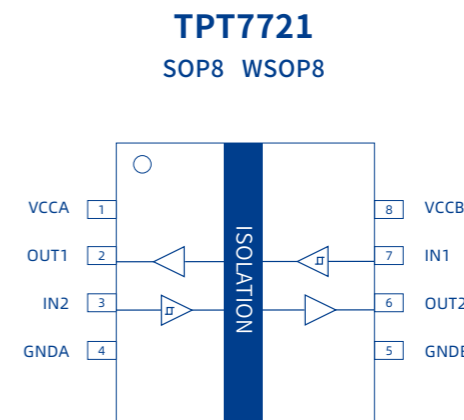
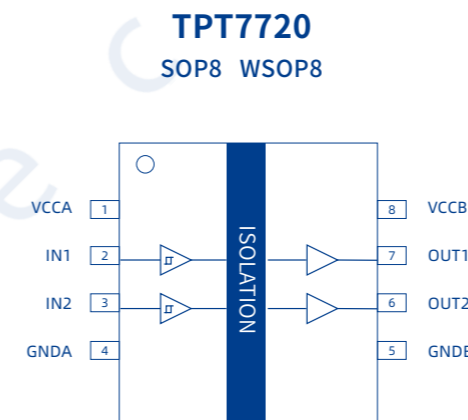
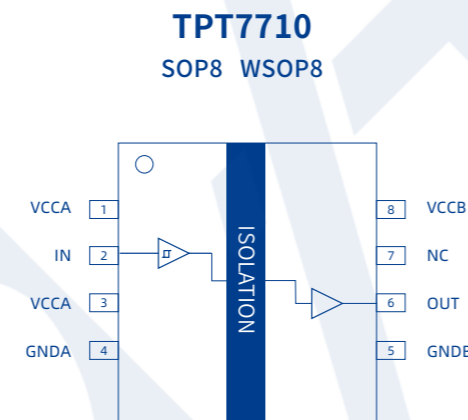
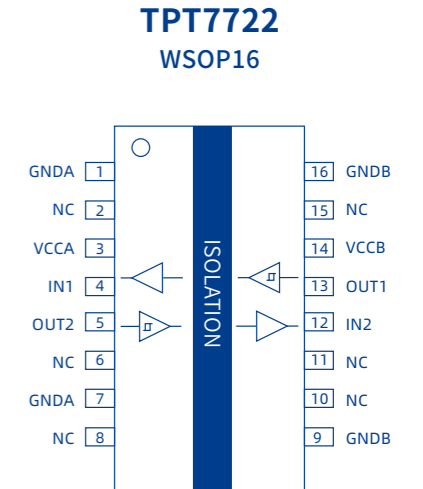
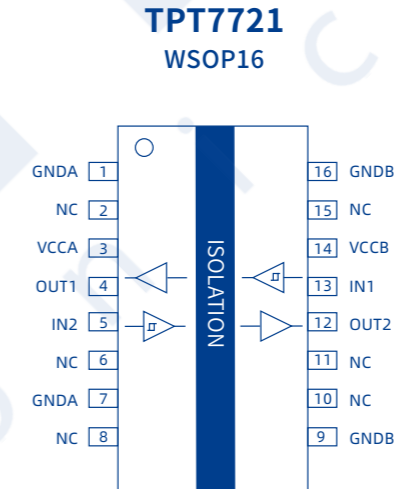
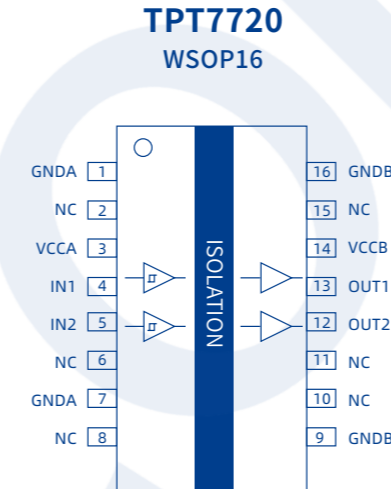
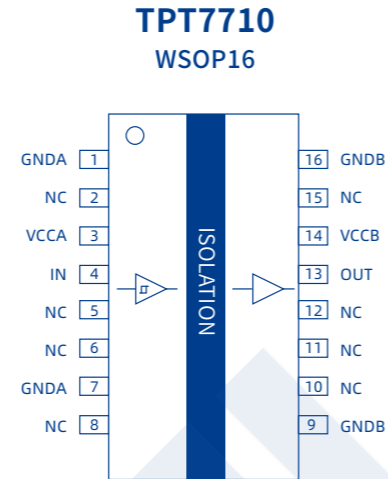
- PLC, Servo, Motor Control, Sensors
- Power Supplies Equipment & Solar Inverters
- Medical Equipment
- Automotive - Electric Vehicles(EV) & Hybrid EV
 - Digital field bus isolation - RS485, RS232/422, CAN SPI etc. and Gate drive interfaces

TPT771x 1-ch Enhanced Isolator

High-Reliability, 5000 VRMS Enhanced Digital Isolator, 150Mbps

TPT772x 2-ch Enhanced Isolator

High-Reliability, 5000 VRMS Enhanced Digital Isolator, 150Mbps



FEATURES

- 150 Mbps data rate supported
- Typical propagation delay: 12 ns
- Max Ch-Ch Skew: 2.5ns, MAX Part-Part Skew: <5ns
- Power: 3mA @1Mbps/ channel typical (3.3V)
- Static CMTI: 200kV/μs, Dynamic CMTI: 150kV/μs
- UL 1577: 5000 VRMS Isolation Rating
- Surge: 10 kV_{PEAK} (WSOP), 6kV_{PEAK}(SOP)
- 1000VRMS Working Voltage (DIN V VDE V 0884-11)
- 2.5V to 5.5V Wide Supply Range
- SOP16, QSOP16, WSOP16 with 8 mm creepage

BENEFITS

- Enhanced Isolation Rating
 - Robust reliability with 50% higher working voltage for 20 years barrier lifetime
- Industry Leading Immunity
 - Higher immunity to disruptive CMTI events
 - Robust EMI for IEC61000-4-x ESD, EFT events
 - Class A; High Conducted & Radiated RF immunity
 - Glitch filters are not required
- Precise timing characteristics for low latency and high speeds

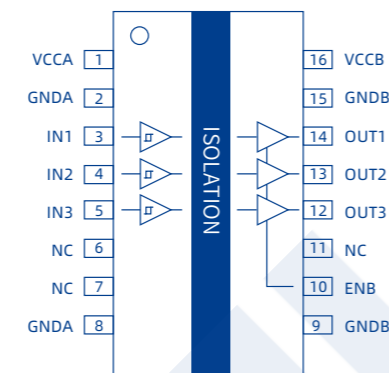
APPLICATIONS

- PLC, Servo, Motor Control, Sensors
- Power Supplies Equipment & Solar Inverters
- Medical Equipment
- Automotive - Electric Vehicles(EV) & Hybrid EV
 - Digital field bus isolation - RS485, RS232/422, CAN SPI etc. and Gate drive interfaces

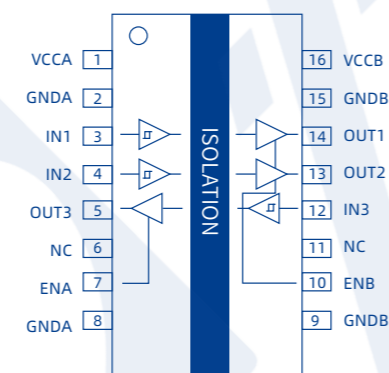
TPT773x 3-ch Enhanced Isolator

High-Reliability, 5000 VRMS Enhanced Digital Isolator, 150Mbps

TPT7730
SOP16 QSOP16 WSOP16



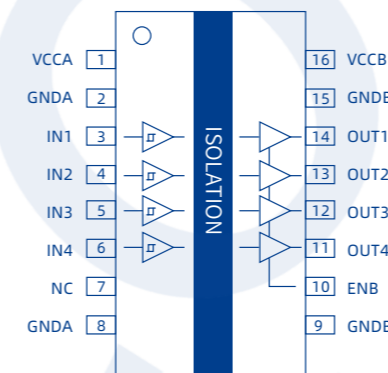
TPT7731
SOP16 QSOP16 WSOP16



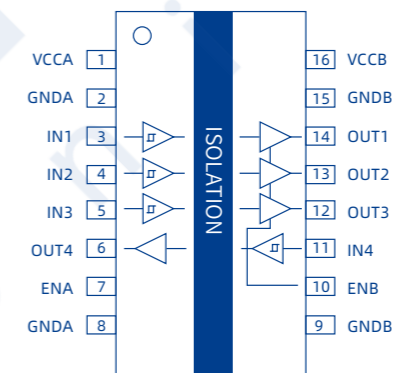
TPT774x 4-ch Enhanced Isolator

High-Reliability, 5000 VRMS Enhanced Digital Isolator, 150Mbps

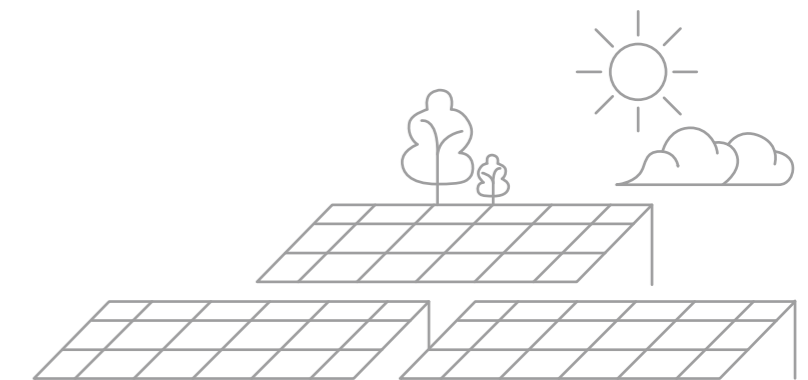
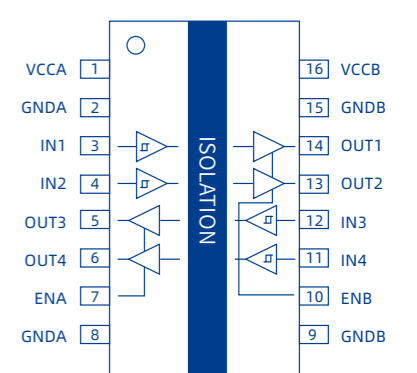
TPT7740
SOP16 QSOP16 WSOP16



TPT7741
SOP16 QSOP16 WSOP16



TPT7742
SOP16 QSOP16 WSOP16



FEATURES

- 150 Mbps data rate supported
- Typical propagation delay: 12 ns
- Max Ch-Ch Skew: 2.5ns, MAX Part-Part Skew: <5ns
- Power: 3mA @1Mbps/ channel typical (3.3V)
- Static CMTI: 200kV/μs, Dynamic CMTI: 150kV/μs
- UL 1577: 5000 VRMS Isolation Rating
- Surge: 10 kVPEAK (WSOP), 6kVPEAK(SOP)
- 1000VRMS Working Voltage (DIN V VDE V 0884-11)
- 2.5V to 5.5V Wide Supply Range
- SOP16, QSOP16, WSOP16 with 8 mm creepage

BENEFITS

- Enhanced Isolation Rating
 - Robust reliability with 50% higher working voltage for 20 years barrier lifetime
- Industry Leading Immunity
 - Higher immunity to disruptive CMTI events
 - Robust EMI for IEC61000-4-x ESD, EFT events
 - Class A; High Conducted & Radiated RF immunity
 - Glitch filters are not required
- Precise timing characteristics for low latency and high speeds

APPLICATIONS

- PLC, Servo, Motor Control, Sensors
- Power Supplies Equipment & Solar Inverters
- Medical Equipment
- Automotive - Electric Vehicles(EV) & Hybrid EV
 - Digital field bus isolation - RS485, RS232/422, CAN SPI etc. and Gate drive interfaces

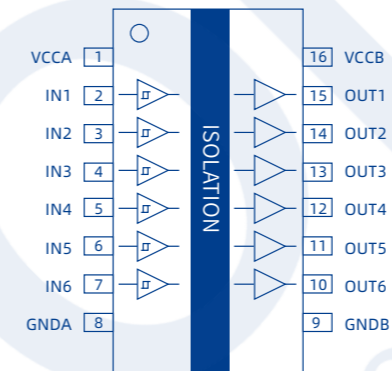


TPT776x

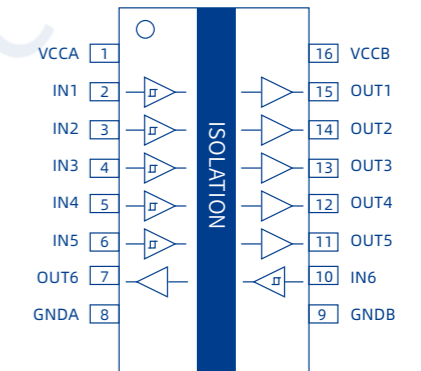
6-ch Enhanced Isolator

High-Reliability, 5000 VRMS Enhanced Digital Isolator, 150Mbps

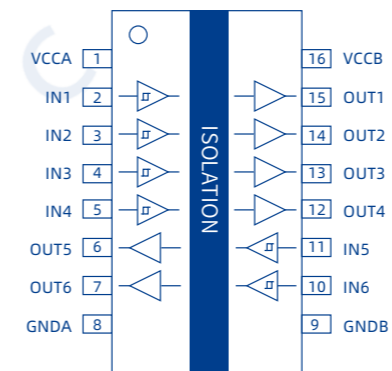
TPT7760
SOP16 QSOP16 WSOP16



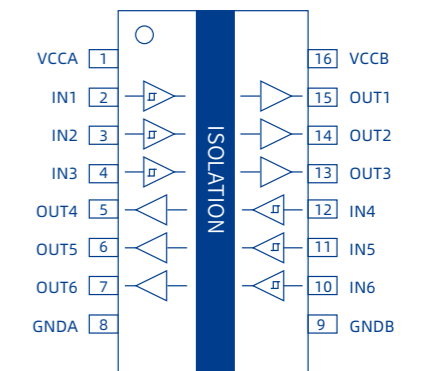
TPT7761
SOP16 QSOP16 WSOP16



TPT7762
SOP16 QSOP16 WSOP16



TPT7763
SOP16 QSOP16 WSOP16



FEATURES

- 150 Mbps data rate supported
- Typical propagation Delay: 10 ns
- Max Ch-Ch Skew: 2.5ns, MAX Part-Part-Skew: <5ns
- Power: 1mA @1Mbps/ channel typical (3.3V)
- CMTI: 150kV/μs
- UL 1577: 6000 VRMS Isolation Rating
- Surge: 12 kVPEAK (WSOP, WWSOP)
- 1500VRMS Working Voltage (DIN V VDE V 0884-11)
- 2.5V to 5.5V Wide Supply Range
- WSOP16, WWSOP16 with 14 mm creepage

BENEFITS

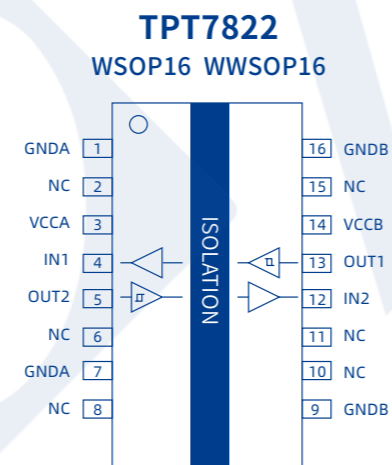
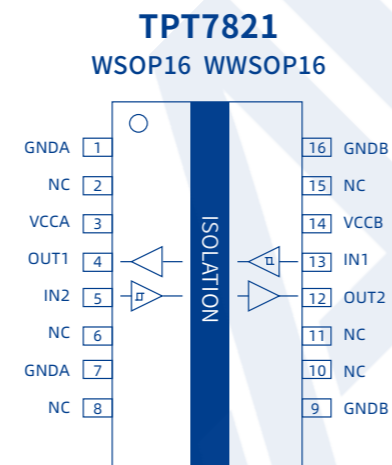
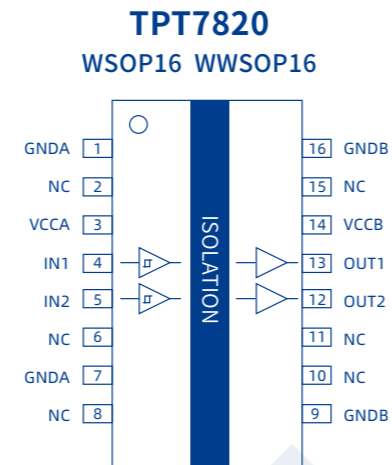
- Reinforced Isolation Rating
 - Robust reliability with 50% higher working voltage for 20 years barrier lifetime
- Industry Leading Immunity
 - Higher immunity to disruptive CMTI events
 - Robust EMI for IEC61000-4-x ESD, EFT events
 - Class A; High Conducted & Radiated RF immunity
 - Glitch filters are not required
- Precise timing characteristics for low latency and high speeds

APPLICATIONS

- PLC, Servo, Motor Control, Sensors
- Power Supplies Equipment & Solar Inverters
- Medical Equipment
- Automotive – Electric Vehicles(EV) & Hybrid EV
 - Digital field bus isolation – RS485, RS232/422, CAN SPI etc and Gate drive interfaces

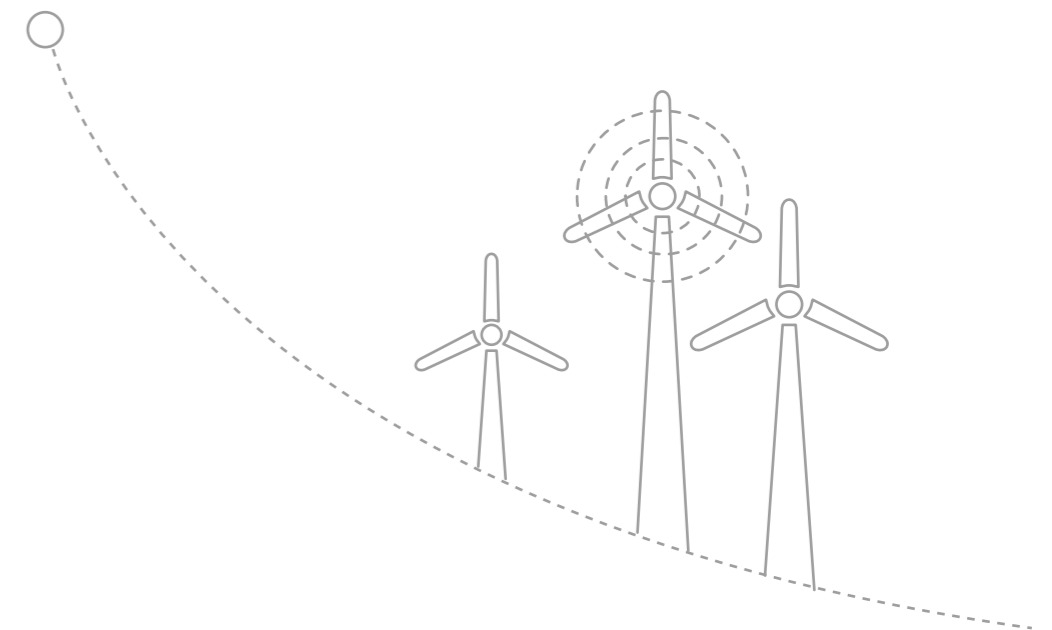
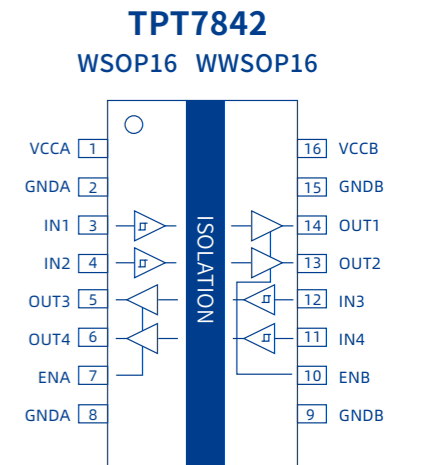
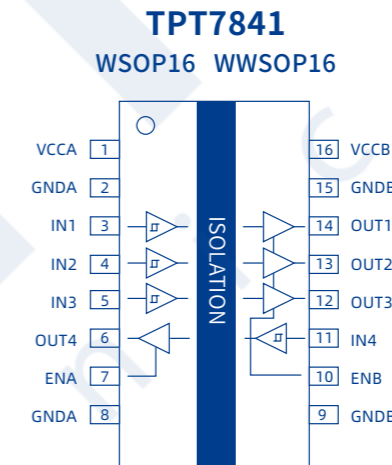
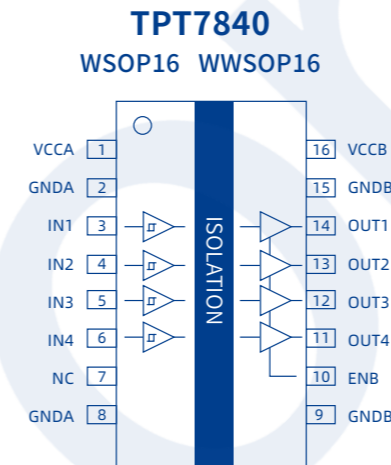
TPT782x 2-ch Reinforced Isolator

High-Reliability, 6000 VRMS Reinforced Digital Isolator, 150Mbps



TPT784x 4-ch Reinforced Isolator

High-Reliability, 6000 VRMS Reinforced Digital Isolator, 150Mbps



FEATURES

- Exceeds Requirements of EIA-485 Standard
- 500 Kbps data rate Isolated RS485
- Support Half Duplex(TPT7487) and Full Duplex(TPT7488) mode
- 3.0V to 5.5V Wide Supply Range
- Support -7 ~ 12V common mode voltage
- Static CMTI: 200 kV/μs, Dynamic CMTI: 150 kV/μs
- UL 1577: 5000 VRMS Isolation Rating
- Surge: 10 kVPEAK(WSOP)
- Bus-Pin Protection:
 - ±20 kV HBM protection
 - ±15 kV IEC61000-4-2 Contact Discharge
- WSOP16 with 8 mm creepage

BENEFITS

- Enhanced Isolation Rating
- Robust reliability with 50% higher working voltage for 60 years barrier lifetime
- Industry Leading Immunity
 - Higher immunity to disruptive CMTI events
 - Robust EMI for IEC61000-4-x ESD, EFT events
 - Class A; High Conducted & Radiated RF immunity
 - Glitch filters are not required
- P2P replacement ISO3082/ISO3086, ISO1410/1412

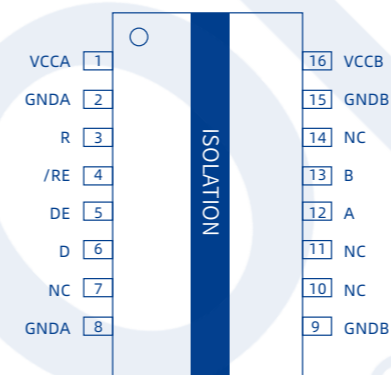
APPLICATIONS

- PLC, Servo, Motor Control, Sensors
- Grid infrastructure
- Solar inverter
- Automotive - Electric Vehicles(EV) & Hybrid EV

TPT7487 Enhanced Isolated RS485

High-Reliability, 5000 VRMS Enhanced Isolated RS485, 500Kbps

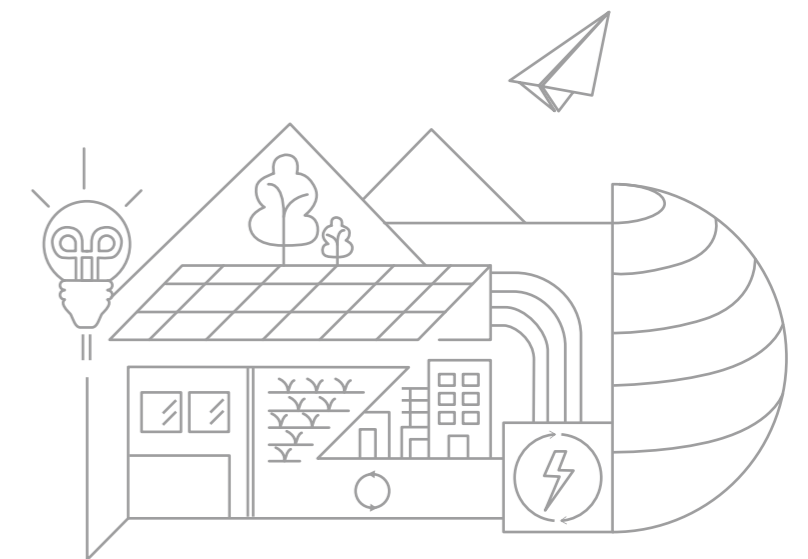
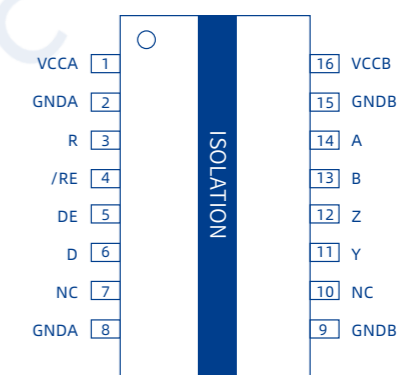
TPT7487
WSOP16



TPT7488 Enhanced Isolated RS485

High-Reliability, 5000 VRMS Enhanced Isolated RS485, 500Kbps

TPT7488
WSOP16



FEATURES

- Exceeds Requirements of EIA-485 Standard
- 20 Mbps data rate Isolated RS485
- Support Half Duplex(TPT7481) and Full Duplex(TPT7482) mode
- 3.0V to 5.5V Wide Supply Range
- Support -7 ~ 12V common mode voltage
- Static CMTI: 200kV/μs, Dynamic CMTI: 150kV/μs
- UL 1577: 5000 VRMS Isolation Rating
- Surge: 10 kVPEAK(WSOP)
- Bus-Pin Protection:
 - ±20 kV HBM protection
 - ±15 kV IEC61000-4-2 Contact Discharge
- WSOP16 with 8 mm creepage

BENEFITS

- Enhanced Isolation Rating
- Robust reliability with 50% higher working voltage for 60 years barrier lifetime
- Industry Leading Immunity
 - Higher immunity to disruptive CMTI events
 - Robust EMI for IEC61000-4-x ESD, EFT events
 - Class A; High Conducted & Radiated RF immunity
 - Glitch filters are not required
- P2P replacement ISO3082/ISO3086, ISO1410/1412

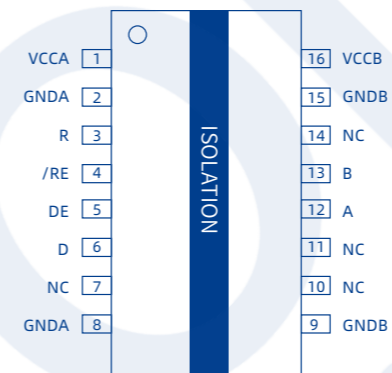
APPLICATIONS

- PLC, Servo, Motor Control, Sensors
- Grid infrastructure
- Solar inverter
- Automotive - Electric Vehicles(EV) & Hybrid EV

TPT7481 Enhanced Isolated RS485

High-Reliability, 5000 VRMS Enhanced Isolated RS-485, 20Mbps

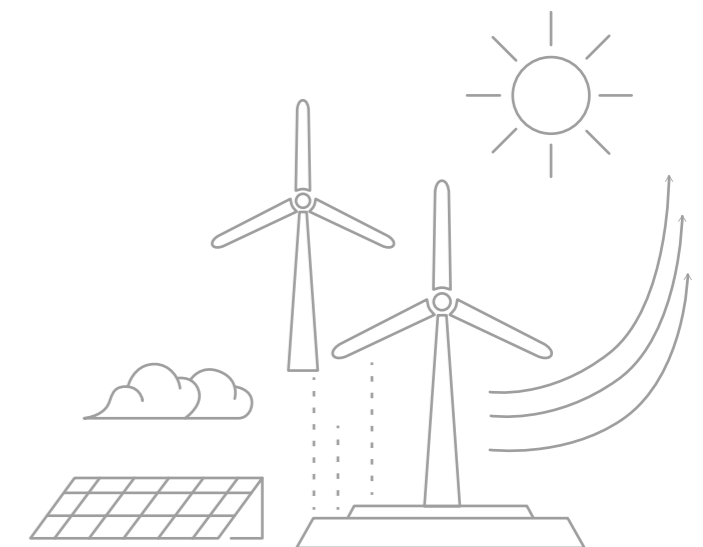
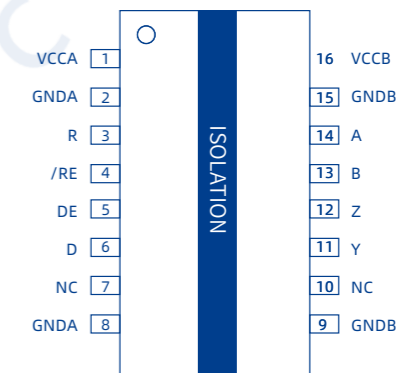
TPT7481
WSOP16



TPT7482 Enhanced Isolated RS485

High-Reliability, 5000 VRMS Enhanced Isolated RS-485, 20Mbps

TPT7482
WSOP16



FEATURES

- 150 Mbps data rate supported
- Typical propagation delay: 12 ns
- Max Ch-Ch Skew: 2.5ns, MAX Part-Part Skew: <5ns
- Static CMTI: 200kV/μs, Dynamic CMTI: 150kV/μs
- UL 1577: 5000 VRMS Isolation Rating
- Surge: 10 kVPEAK (WSOP), 6kVPEAK(SOP)
- 1000VRMS Working Voltage (DIN V VDE V 0884-11)
- 2.5V to 5.5V Wide Supply Range
- Fully automotive process, AEC-Q100 qualification
- SOP8, WSOP8, WSOP16 with 8 mm creepage

BENEFITS

- Enhanced Isolation Rating
 - Robust reliability with 50% higher working voltage for 20 years barrier lifetime
- Industry Leading Immunity
 - Higher immunity to disruptive CMTI events
 - Robust EMI for IEC61000-4-x ESD, EFT events
 - Class A; High Conducted & Radiated RF immunity
 - Glitch filters are not required.
- Precise timing characteristics for low latency and high speeds

APPLICATIONS

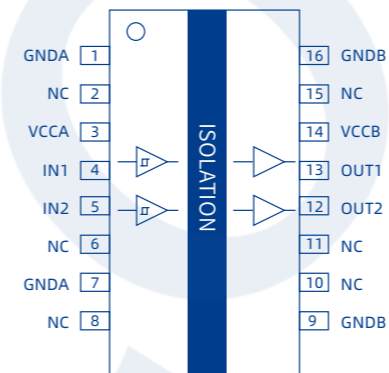
- Automotive – Electric Vehicles(EV) & Hybrid EV
 - Digital field bus isolation – RS485, RS232/422, CAN SPI etc. and Gate drive interfaces
- PLC, Servo, Motor Control, Sensors
- Power Supplies Equipment & Solar Inverters
- Medical Equipment

TPT772xQ

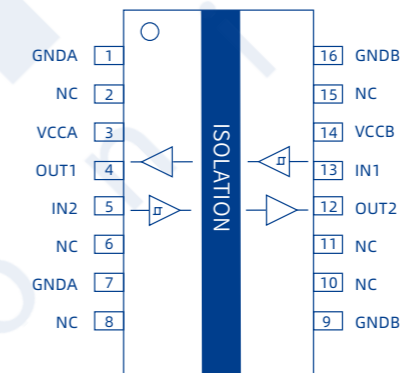
2-ch Automotive Enhanced Isolator

High-Reliability, 5000 VRMS Enhanced Digital Isolator, 150Mbps

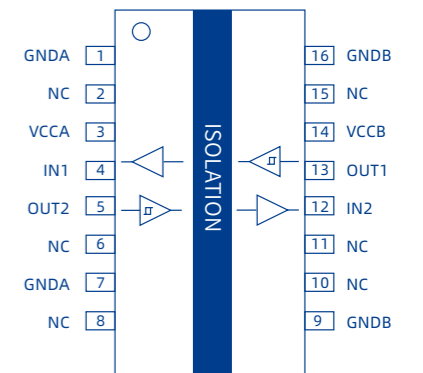
TPT7720
WSOP16



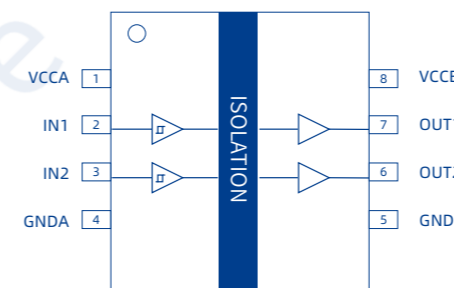
TPT7721
WSOP16



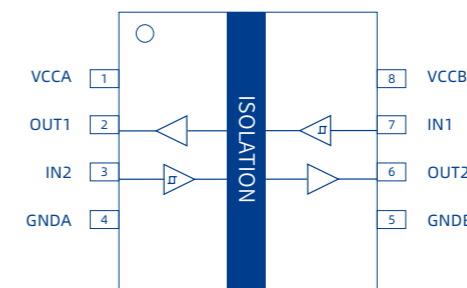
TPT7722
WSOP16



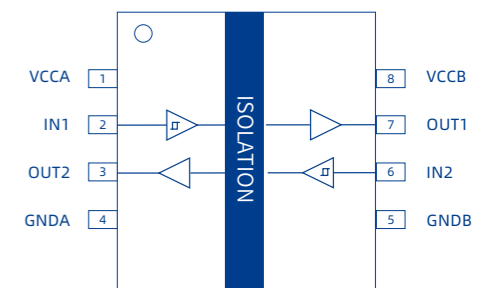
TPT7720
SOP8 WSOP8



TPT7721
SOP8 WSOP8



TPT7722
SOP8 WSOP8



FEATURES

- 150 Mbps data rate supported
- Typical propagation delay: 12 ns
- Max Ch-Ch Skew: 2.5ns, MAX Part-Part Skew: <5ns
- Static CMTI: 200kV/μs, Dynamic CMTI: 150kV/μs
- UL 1577: 5000 VRMS Isolation Rating
- Surge: 10 kVPEAK (WSOP), 6kVPEAK(SOP)
- 1000VRMS Working Voltage (DIN V VDE V 0884-11)
- 2.5V to 5.5V Wide Supply Range
- Fully automotive process, AEC-Q100 qualification
- SOP16, QSOP16, WSOP16 with 8 mm creepage

BENEFITS

- Enhanced Isolation Rating
 - Robust reliability with 50% higher working voltage for 20 years barrier lifetime
- Industry Leading Immunity
 - Higher immunity to disruptive CMTI events
 - Robust EMI for IEC61000-4-x ESD, EFT events
 - Class A; High Conducted & Radiated RF immunity
 - Glitch filters are not required
- Precise timing characteristics for low latency and high speeds

APPLICATIONS

- Automotive - Electric Vehicles(EV) & Hybrid EV
 - Digital field bus isolation - RS485, RS232/422, CAN, SPI etc. and Gate drive interfaces
- PLC, Servo, Motor Control, Sensors
- Power Supplies Equipment & Solar Inverters
- Medical Equipment

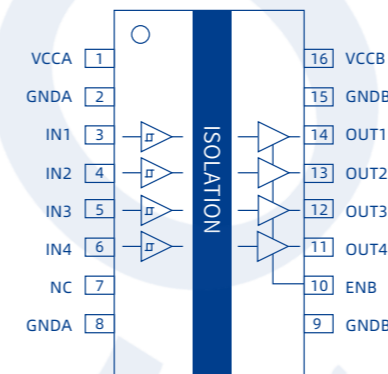


TPT774xQ

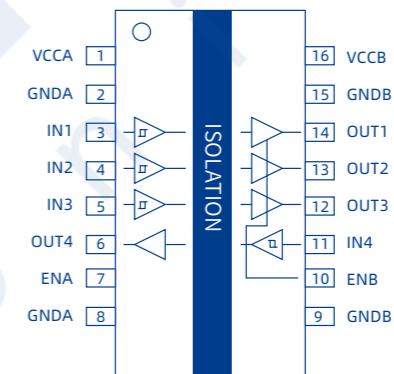
4-ch Automotive Enhanced Isolator

High-Reliability, 5000 VRMS Enhanced Digital Isolator, 150Mbps

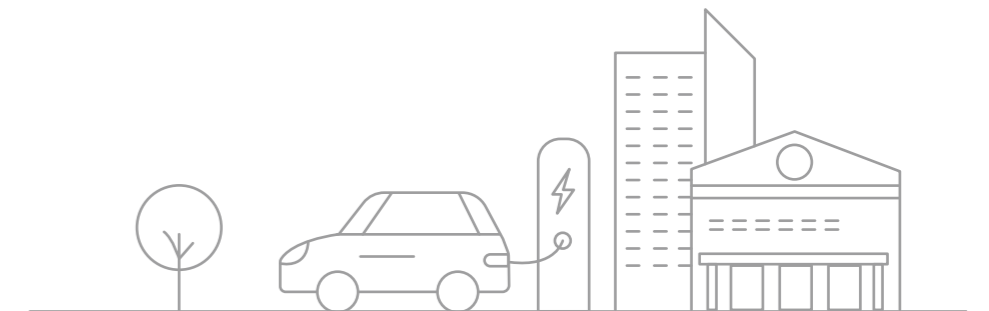
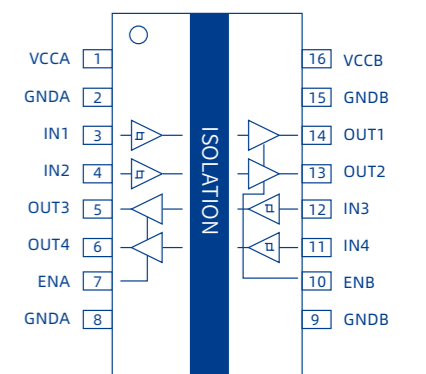
TPT7740
SOP16 QSOP16 WSOP16



TPT7741
SOP16 QSOP16 WSOP16



TPT7742
SOP16 QSOP16 WSOP16



FEATURES

- Meet ISO11898 Standard
- Support CAN FD and data rate up to 5 Mbps
- 3.0V to 5.5V Wide Supply Range
- Support -30 ~ +30V common mode voltage
- Static CMTI: 200 kV/μs, Dynamic CMTI: 150 kV/μs
- UL 1577: 5000 VRMS Isolation Rating
- Surge: 10 kV_{PEAK}(WSOP)
- Bus-Pin Protection:
 - ±20 kV HBM protection
 - ±15 kV IEC61000-4-2 Contact Discharge
- WSOP16 with 8 mm creepage

BENEFITS

- Enhanced Isolation Rating
 - Robust reliability with 50% higher working voltage for 60 years barrier lifetime
- Industry Leading Immunity
 - Higher immunity to disruptive CMTI events
 - Robust EMI for IEC61000-4-x ESD, EFT events
 - Class A; High Conducted & Radiated RF immunity
 - Glitch filters are not required
- P2P replacement ISO1050, ISO1044

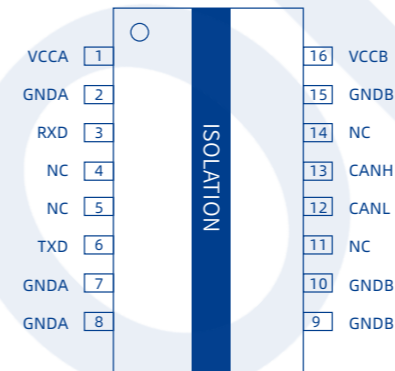
APPLICATIONS

- PLC, Servo, Motor Control, Sensors
- Grid infrastructure
- Solar inverter
- Automotive - Electric Vehicles(EV) & Hybrid EV

TPT71042 Isolated CAN Transceiver

High-Reliability, 5000 VRMS Enhanced
Isolated CAN FD Transceiver, 5Mbps

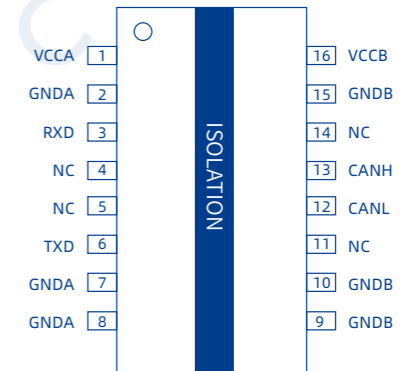
TPT71042
WSOP16



TPT71044 Isolated CAN Transceiver

High-Reliability, 5000 VRMS Enhanced
Isolated CAN FD Transceiver, 5Mbps

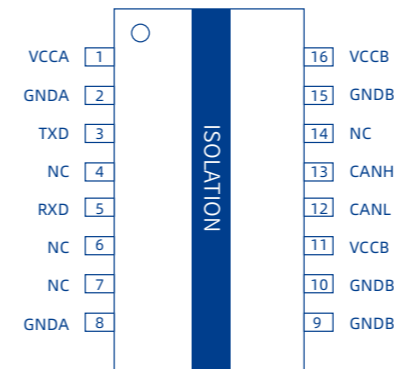
TPT71044
WSOP16



TPT71050 Isolated CAN Transceiver

High-Reliability, 5000 VRMS Enhanced
Isolated CAN FD Transceiver, 5Mbps

TPT71050
WSOP16



FEATURES

- Isolated bidirectional I2C compatible communication
- Support up to 1MHz operation
- 3.0V to 5.5V Wide Supply Range
- TPT72616 unidirectional clock, TPT72617 directional clock
- Static CMTI: 200kV/μs, Dynamic CMTI: 150kV/μs
- UL 1577: 3750 VRMS Isolation Rating
- Surge: 6kV_{PEAK}
- 1000VRMS Working Voltage (DIN V VDE V 0884-11)
- SOP16 Package

BENEFITS

- Enhanced Isolation Rating
- Robust reliability with 50% higher working voltage for 60 years barrier lifetime
- Industry Leading Immunity
 - Higher immunity to disruptive CMTI events
 - Robust EMI for IEC61000-4-x ESD, EFT events
 - Class A; High Conducted & Radiated RF immunity
 - Glitch filters are not required
- P2P replacement ISO1540, ISO1541, ADuM1250, ADuM1251

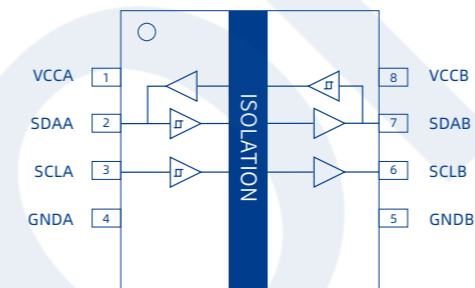
APPLICATIONS

- Isolated I2C buses
- I2C level shifting
- SMBus and PMbus interfaces
- Open-drain networks
- Motor control systems

TPT72616 Isolated I2C Isolators

High-Reliability, 3750 VRMS Enhanced
Bidirectional Isolated I2C

TPT72616
SOP16



TPT72617 Isolated I2C Isolators

High-Reliability, 3750 VRMS Enhanced
Bidirectional Isolated I2C

TPT72617
SOP16

