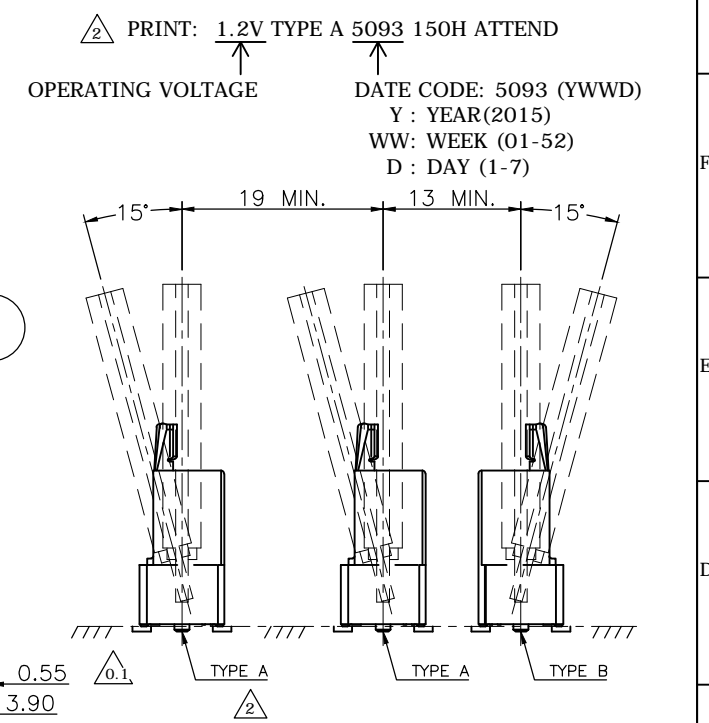


REV.	DESCRIPTION	DRAWN	DATE
2	Revised printing, misspelt word corrected	FROS	2016/01/18
3	Revised layout 9.35 was 8.60	FROS	2016/05/30
4	Revised Peg & Mylar dims.	FROS	2016/07/25



RECOMMENDED SOCKET MOUNTING LAYOUT

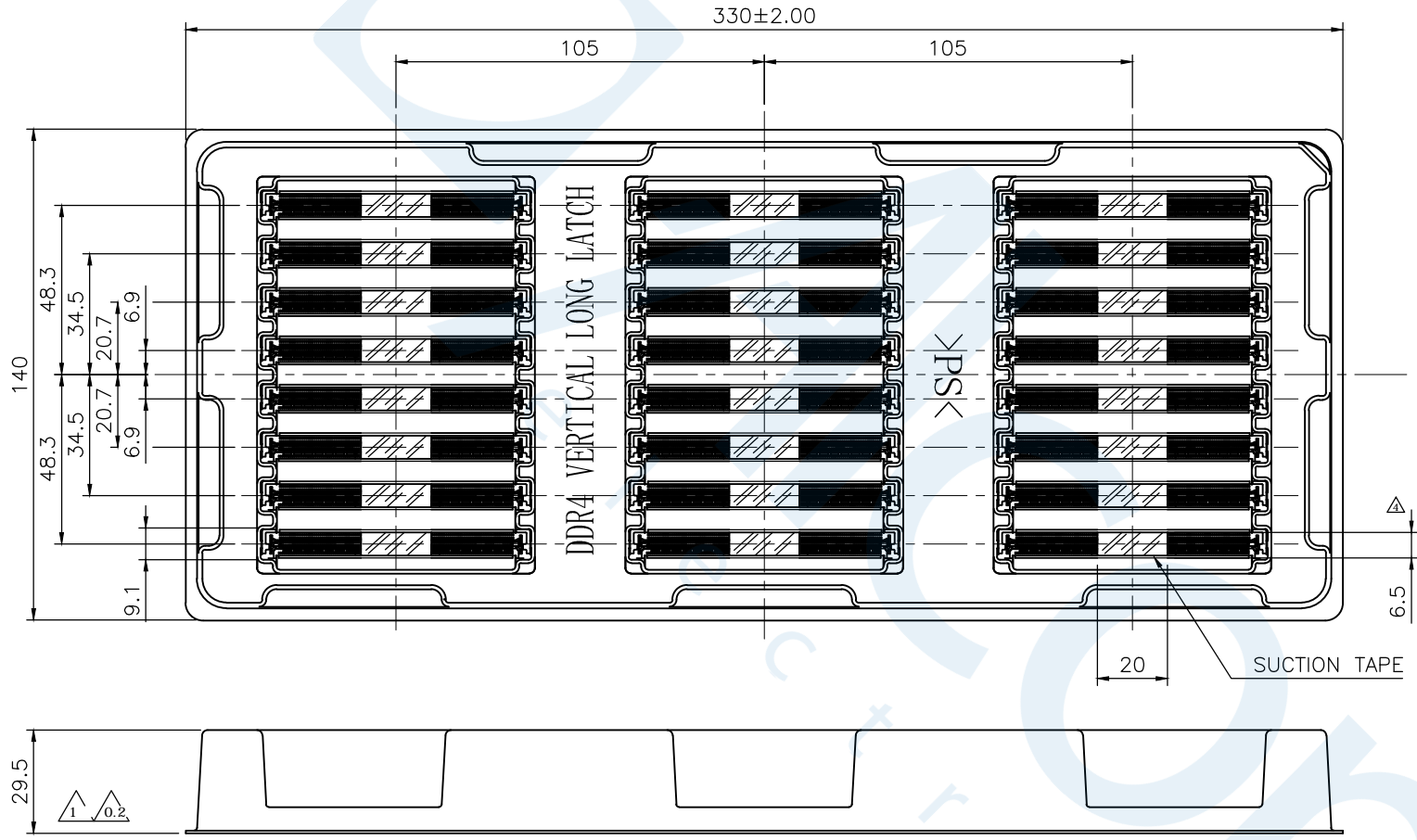


Singel 3 | B-2550 Kontich | Belgium | Tel. +32 (0)3 458 30 33 | info@alcom.be | www.alcom.be
 Rivium 1e straat 52 | 2909 LE Capelle aan den IJssel | The Netherlands | Tel. +31 (0)10 288 25 00 | info@alcom.nl | www.alcom.nl


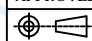
3	LATCH	STAINLESS STEEL					
2	CONTACT	PHOSPHOR BRONZE, GOLD FLASH					
1	HOUSING	LCP, UL94V-0, BLACK					
NO.	PART NAME	DESCRIPTION					
UNLESS OTHERWISE SPECIFIED TOLERANCE							
UNIT:	DECIMAL	LINEAR	ANGLES				
	X.	±0.50	±5°				
	X.X	±0.25	±3°				
	X.XX	±0.12	±1°				
WWW.ATTEND.COM.TW							
DRAWN	Fros	2015/02/16	DRAWN NAME: DDR4 VERTICAL SOCKET TYPE A FOR 260P DDR SO DIMM				
CHECKED	Ron	2015/02/16					
APPROVED	Albert	2015/02/16					
PRODUCT NO.	124B-150A00						
SCALE	1.4	SHEET	1/2	SIZE	A4	FILE NAME	124B-150A00_B_4



REV.	DESCRIPTION	DRAWN	DATE
	SEE SHEET ONE		



NOTE:
 8X3= 24 PCS / TRAY
 4 TRAY / INNER BOX
 3 INNER BOX/ CARTON
 24X4X3= 288 PCS/ CARTON

UNLESS OTHERWISE SPECIFIED TOLERANCE				 WWW.ATTEND.COM.TW		
UNIT:	DECIMAL	LINEAR	ANGLES			DRAWN NAME: DDR4 VERTICAL SOCKET TYPE A FOR 260P DDR SO DIMM
mm	X.	±0.50	±5°			
	X.X	±0.25	±3°			
	X.XX	±0.12	±1°			
DRAWN	Fros	2015/02/16	DRAWN NAME:			
CHECKED	Ron	2015/02/16	DRAWN NAME:			
APPROVED	Albert	2015/02/16	PRODUCT NO.	124B-150A00		
		SCALE 1/2	SHEET 2/2	SIZE A4	FILE NAME 124B-150A00_B_4	