

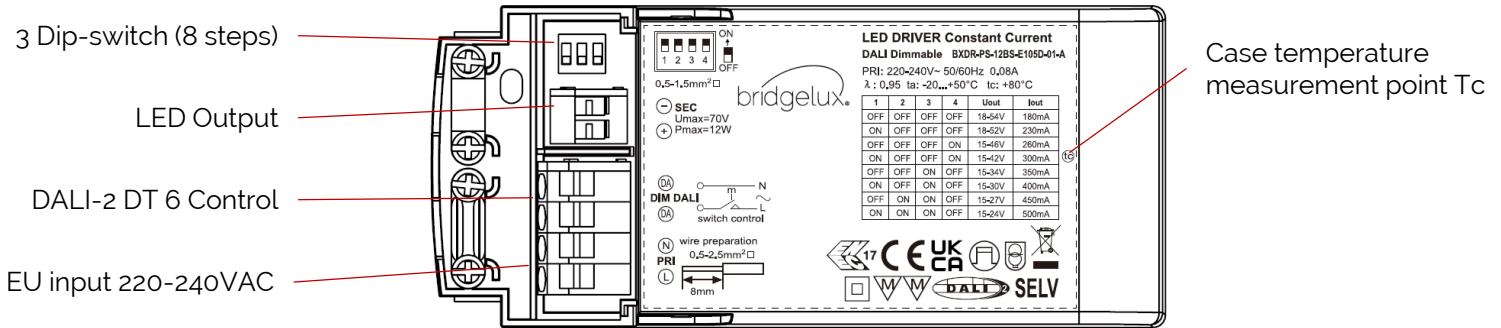


# Bridgelux® Pallas-D Single Channel 12W (DALI-2) Brick Driver

Product Data Sheet DS472

# Product Feature Map

Bridgelux Pallas-D (DALI) Single Channel 12W Driver provides dynamic constant current output for LED modules and arrays. This Driver interoperates with DALI-2 standard lighting systems and protocols and allows for simple integration of Bridgelux's and all major brands White Arrays and Linear modules. Please visit [www.bridgelux.com](http://www.bridgelux.com) for more information.



## Product Nomenclature

The part number designation for Bridgelux Pallas-D (DALI) Single Channel 12W Driver is explained as follows:

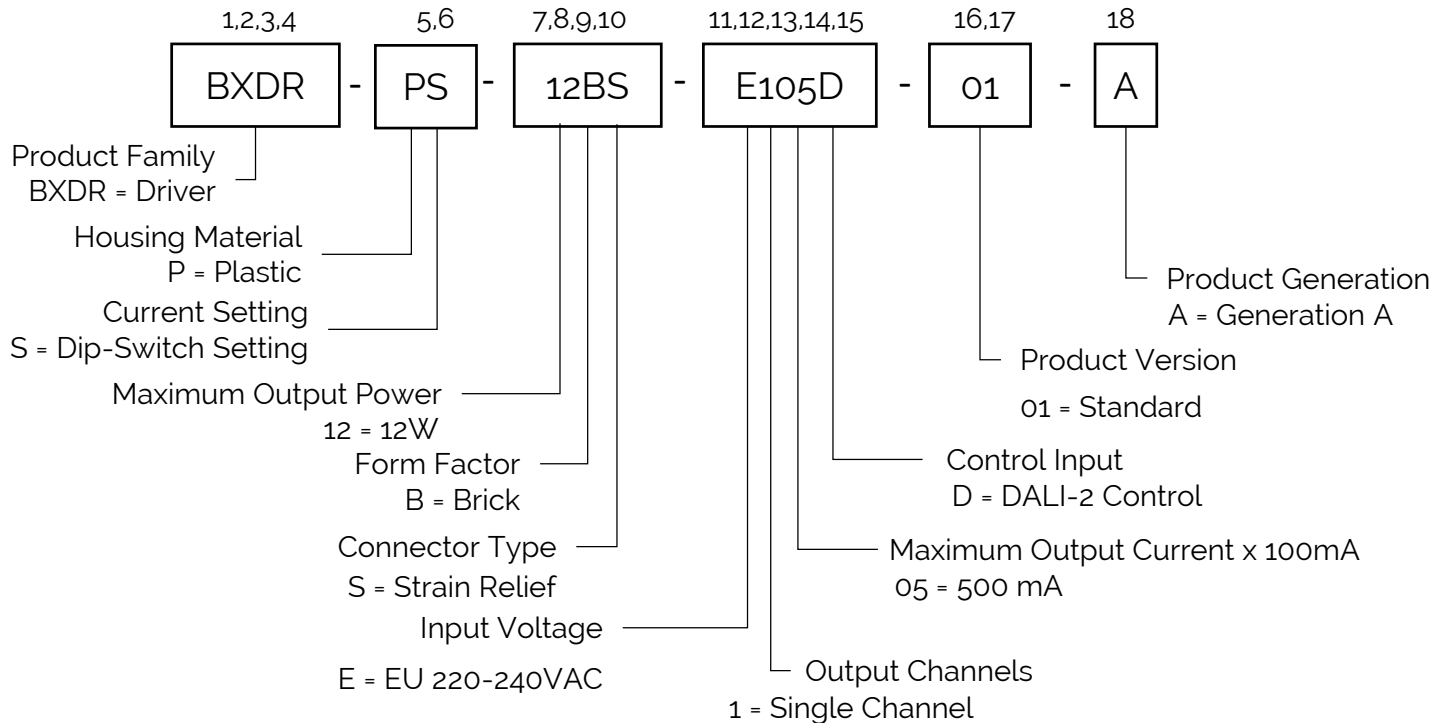


Table 1: Product Selection Guide

Part Number	Configuration
BXDR-PS-12BS-E105D-01-A	Brick with strain relief built-in

# Electrical Characteristics

Table 2: Input Electrical Characteristics

Parameter	Unit	Specification	
Nominal voltage	V	220 – 240	
Nominal frequency	Hz	50 / 60	
AC voltage range	V	198 – 264	
DC voltage range	V	176 - 370	
Nominal current	A	0.08	
Power factor (Full load)	-	≥ 0.8 (180 mA)	≥ 0.95
THD (Full load)	%	≤ 25 (180mA)	≤ 20
Efficiency (Full load)	%	≥ 79	
NO load	W	≤ 0.5	
Protection class	-	II	
Inrush current(Cold start)	A pk	< 15 (th = 100 μs)	
Max. units per circuit breaker	-	B10: 46 B16: 74 C10: 93 C16: 149	

Table 3: Output Electrical Characteristics

Parameter	Unit	Specification							
Nominal voltage range	V	18-54V	18-52V	15-46V	15-42V	15-34V	15-30V	15-27V	15-24V
Maximum voltage(Open Circuit)	Vdc	≤ 70							
Nominal current	mA	180	230	260	300	350	400	450	500
Current accuracy	%	+/- 5							
Current ripple LF < 200Hz	%	≤ 3							
Pst LM	-	≤ 1							
SVM	-	≤ 0.4							
Maximum power	W	12							
Galvanic isolation: <b>SELV</b>	-	Output voltage of SELV controlgear not exceed limits in 10.4 of IEC61347-1 during the test of 15.1 and 15.2 <i>IEC61347-1 10.4: "Controlgear providing SELV may have accessible conductive parts in the SELV circuit; if : the rated output voltage exceed 60V ripple free d.c., the touch current does not exceed 0,7 mA (peak).</i>							

# Electrical Characteristics

Figure 1: Power Factor vs. Load

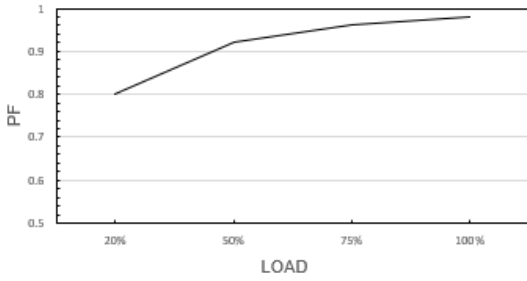


Figure 2: Total Harmonic Distortion vs. Load

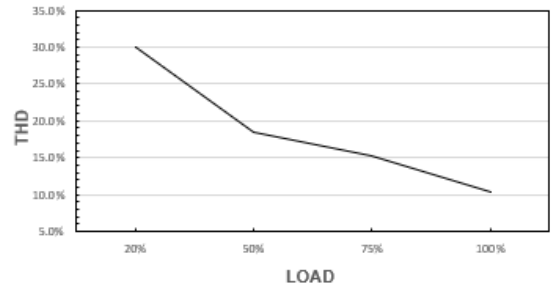


Figure 3: Efficiency vs. Load

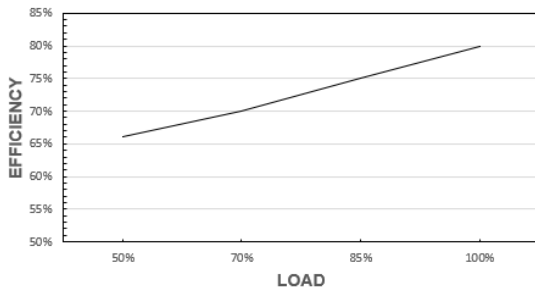
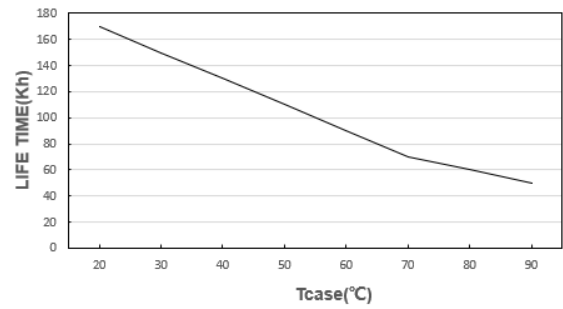


Figure 4: Expected Life Time

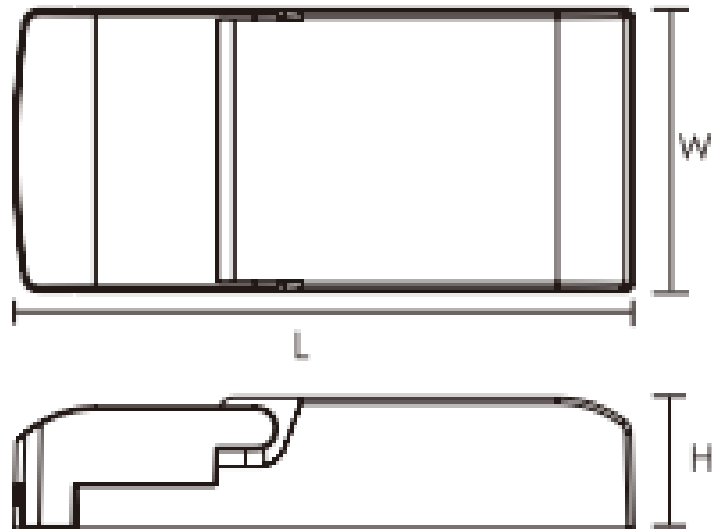


# Mechanical Characteristics

Table 4: Product Selection Guide

Characteristics	Specification
Dimensions	119.0 mm (L) x 52.0 mm (W) x 22.5 mm (H)
Enclosure Materials	PC Plastic
Weight	110 g
Ingress Protection	IP20

Figure 5: Mechanical Drawing



Notes for Figure 5:

1. Drawing dimensions are in millimeters
2. Unless otherwise specified, all linear tolerances are +/-1.0mm

# Wiring Diagram

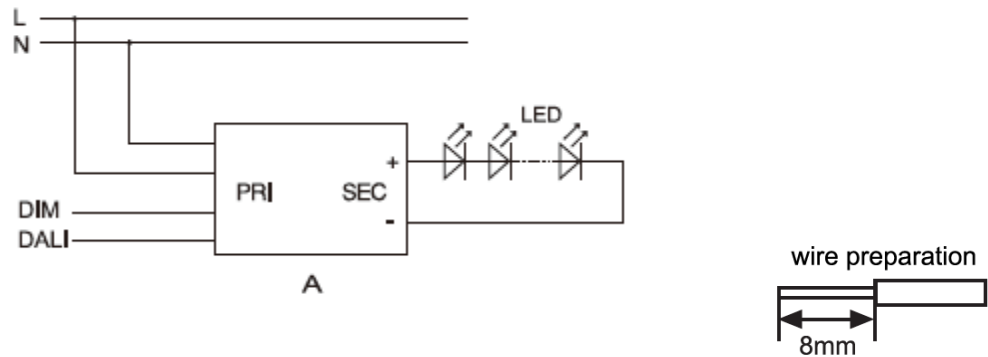


Table 5: **Wiring**

		PRI	
PRI	Cable cross-section	0.5 – 2.5 mm <sup>2</sup> / AWG 20 - 13	
	Stripping	8 mm	
SEC	Cable cross-section	0.5 – 1.5 mm <sup>2</sup> / AWG 20 - 15	
	Stripping	8 mm	

Notes for Table 5:

1. Hot plug-in or secondary switching of LEDs is not permitted and may cause a very high current to the LEDs.
2. Unless otherwise specified, all linear tolerances are +/-1.0mm

# DIP-switch operation instructions & operating window

Table 6: **Dip-switch operation instructions & operating window**

Dip-switch setting			U <sub>out</sub>	I <sub>out</sub>
1	2	3		
OFF	OFF	OFF	18-54V	180 mA
ON	OFF	OFF	18-52V	230 mA
OFF	ON	OFF	15-46V	260 mA
OFF	OFF	ON	15-42V	300 mA
ON	ON	OFF	15-34V	350 mA
ON	OFF	ON	15-30V	400 mA
OFF	ON	ON	15-27V	450 mA
ON	ON	ON	15-24V	500 mA

# Environmental and Regulatory Standards

Table 7: Environmental Conditions

Parameter	Specification
Ambient Operating Temperature	-20°C to + 50°C
Max. Case Temperature Tc	+80°C (max)
Max. Case Temperature (In fault condition)	+110°C
Humidity Rating	Maximum 85% Relative Humidity, non condensing
Storage Temperature	-20°C to + 70°C
Expected Lifetime	50,000 hours (Tc < 80°C)

Table 8: Regulatory Approvals and Compliance

Specification	Reference Standard	Condition
DC or AC supplied electronic controlgear for LED modules	EN 62384	electronic controlgear for use on DC or AC supplies up to 1 000 V (alternating current at 50 Hz or 60 Hz) and with an output frequency which can deviate from the supply frequency
Conducted and Radiated EMI	EN 55015:2019+A1:2020 (CISPR 15:2018)	
Harmonic Current Emissions	EN IEC 61000-3-2:2019	
Voltage Fluctuations & Flicker	IEC 61000-3-3:2013+A1:2019	
ESD (Electrostatic Discharge)	IEC 61547:2009 Section 5.2 Test des.: IEC 61000-4-2	4 kV contact discharge, 8 kV air discharge, level 3
Continuous Radiated Disturbance	IEC 61547:2009 Section 5.3 Test des.: IEC 61000-4-3	3 V/m, 80 - 1000 MHz, 80% modulated at distance of 3 meters
Electrical Fast Transient	IEC 61547:2009 Section 5.5 Test des.: IEC 61000-4-4	± 1 kV on AC power port for 1 minute,
Surge	IEC 61547 Section 5.7 Test des.: IEC 61000-4-5	± 1 kV (differential mode) ± 2 kV (common mode)
Continuous Conducted Disturbance	IEC 61547:2009 Section 5.6 Test des.: IEC 61000-4-6	3V, 0.15-80 MHz, 80% modulated, Level 2
Voltage Dips	IEC 61547 Section 5.8, 5.9 Test des.: IEC 61000-4-11	70% dip during 25 cycles @ 50Hz, 30 cycles @ 60Hz 0% dip during ½ cycles
Touch Current	EN60598-1	lower than 0.7 mA, according to EN 60598-1 annex. G and EN 61347-1 annex A

## Regulatory Standards (continued)

Table 9: Safety Agency Approvals

Specification	Reference Standard	Condition
ENEC / CE / UKCA	EN 61347-1:2015. EN 61347-2-13:2014+A1	ENEC Certification pending
Glow wire test	EN 61347-1:2015	Passed with increased temperature at 850°C

Table 10: DALI-2 DT6 Standards

Specification	Reference Standard	Condition
System Components (Part 101)	EN62386-101	
Control Gear (Part 102)	EN62386-102	
LED Module (Part 207)	EN62386-207	



## Packaging

Table 11: Packaging Box Configuration

Parameters	Specification
Driver quantity	100 pcs (10 pcs per inner box)
Outer dimensions	320 X 260 X 280 mm
Weight	13.0 kg



# Design Resources

## Application Notes

Please contact your Bridgelux sales representative for assistance on obtaining application support when designing with the Bridgelux Pallas-D Single Channel Driver. For a list of available resources, visit [www.bridgelux.com](http://www.bridgelux.com).

# Precautions

## CAUTION: PRODUCT HANDLING

Handle the Pallas-D Single Channel Driver with care to prevent any damage from mechanical shock. It is recommended to handle this driver in a static-free environment. Do not open or disassemble the product. To maintain product warranty, the installer is responsible for ensuring that the driver's operating conditions do not exceed the maximum conditions stated within this data sheet.

## CAUTION: PRODUCT INSTALLATION

Incorrect installation of the Pallas-D Single Channel Driver can cause irreparable damage to the driver, connected LEDs. Pay attention when connecting the LED load and observe the correct polarity of the output terminals as specified in this data sheet and on the driver label.

## CAUTION: ELECTRIC SHOCK

Be aware of the possibility of an electric shock hazard which can result in serious injury or death. Disconnect power before servicing or installing this device.

# Disclaimers

## MINOR PRODUCT CHANGE POLICY

The rigorous qualification testing on products offered by Bridgelux provides performance assurance. Slight cosmetic changes that do not affect form, fit, or function may occur as Bridgelux continues product optimization.

## About Bridgelux: Bridging Light and Life™

At Bridgelux, we help companies, industries and people experience the power and possibility of light. Since 2002, we've designed LED solutions that are high performing, energy efficient, cost effective and easy to integrate. Our focus is on light's impact on human behavior, delivering products that create better environments, experiences and returns—both experiential and financial. And our patented technology drives new platforms for commercial and industrial luminaires.

For more information about the company, please visit

[bridgelux.com](http://bridgelux.com)

[twitter.com/Bridgelux](https://twitter.com/Bridgelux)

[facebook.com/Bridgelux](https://facebook.com/Bridgelux)

[youtube.com/user/Bridgelux](https://youtube.com/user/Bridgelux)

[linkedin.com/company/bridgelux](https://linkedin.com/company/bridgelux)

WeChat ID: BridgeluxInChina



46410 Fremont Blvd  
Fremont, CA 94538 USA  
Tel (925) 583-8400  
[www.bridgelux.com](http://www.bridgelux.com)

© 2022 Bridgelux, Inc. All rights reserved 2022. Product specifications are subject to change without notice. Bridgelux, the Bridgelux stylized logo design and Pallas-D are registered trademarks of Bridgelux, Inc. Bridging Light and Life is a trademark of Bridgelux, Inc. All other trademarks are the property of their respective owners.

Bridgelux Pallas-D (DALI) Single Channel 12W Driver Data Sheet DS472 Rev. A (07/2022)